



Sink - Meta

Three-hole lavatory mixer with drain - black matte

Article number: 20 713 661-33 0010

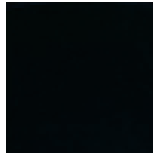


- 6-5/8" Projection
- US drain with overflow
- Swiveling spout 360°
- Round aerated stream
- Total height 11"
- Height to aerator/spout outlet 7-1/2"
- Valve hole diameter 1-1/4"
- Spout hole diameter 1-3/8"
- Flange diameter 2-3/8"
- 2x 3/8" flexible supply lines
- Water flow rate limited to max. 1.2 gpm
- lead-free

Codes & Standards

- NSF/ANSI 372
- California Energy Commission (CEC)
- ASME A112.18.1/CSA B125.1
- NSF/ANSI/CAN 61
- ADA

- (ADA)
- Suitable only for basins with overflow.



black matte

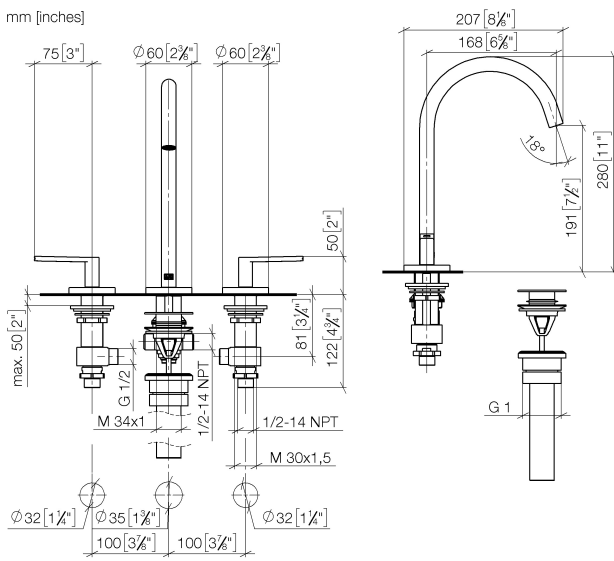


Sink - Meta

Three-hole lavatory mixer with drain - black matte

Article number: 20 713 661-33 0010

Dimensional drawing



All dimensions in mm / inch = mm x 0,0394

Flow rate chart

