

33 505 660



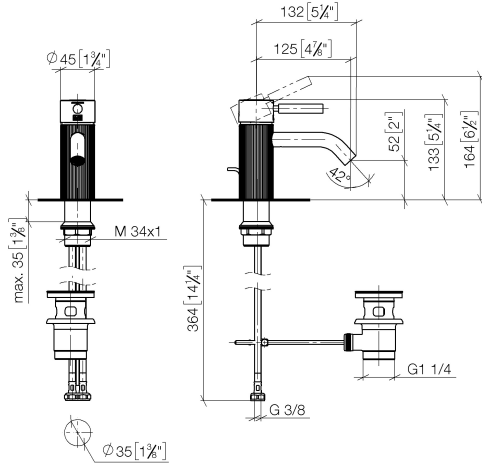
- 125mm projection
- With faceted texture
- fixed spout
- circular, air-enriched flow
- height of mixer 135 mm
- height up to aerator 52 mm
- hole diameter 35 mm
- 2x screw-in M 8 x 1 pressure hose, leak-tested
- max. flow 5.7 l/min
- lead-free
- This product can help a building meet the requirements of Green Building Rating Systems, e.g. LEED®, BREEAM®, DGNB
- WRAS 2003058

Only suitable for basins with an overflow.

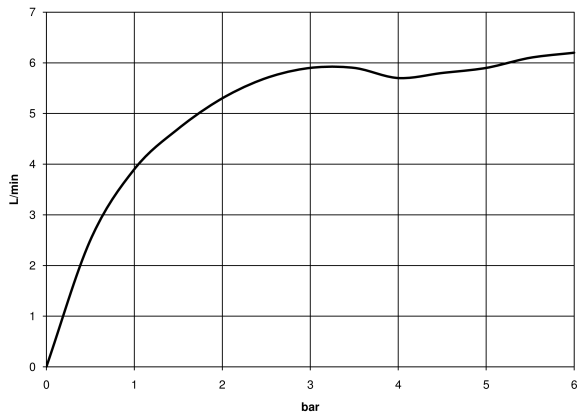
	Chrome	33 505 660-00
	Brushed Platinum	33 505 660-06
	Dark Chrome	33 505 660-19
	Light Gold	33 505 660-26
	Brushed Light Gold	33 505 660-27
	Brushed Bronze	33 505 660-42
	Brushed Champagne (22kt Gold)	33 505 660-46
	Champagne (22kt Gold)	33 505 660-47
	Brushed Chrome	33 505 660-93
	Brushed Dark Platinum	33 505 660-99

33 505 660

mm [inches]



Flow rate chart



Codes & Standards

Scottish Water
Byelaws

UK Water Supply
Regulations



META Single-lever basin mixer with pop-up waste - Chrome

META

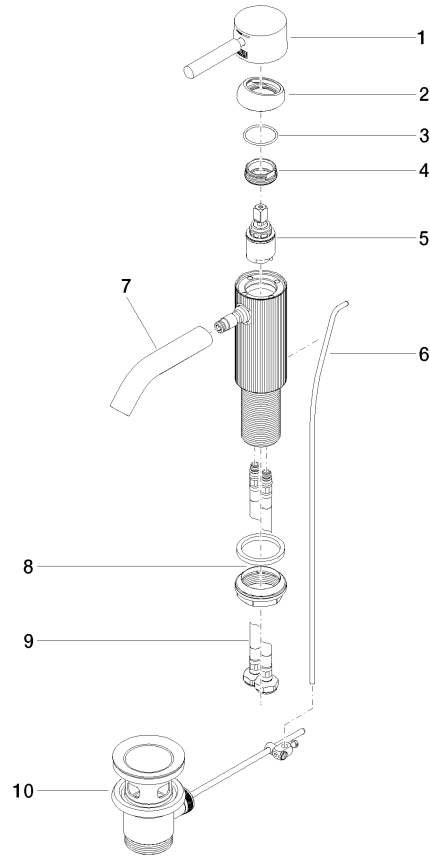
33 505 660

Certificates

WRAS_2003

33 505 660

Product version from 5/1/2022





META Single-lever basin mixer with pop-up waste - Chrome

META

33 505 660

Spare parts list

Product version from 5/1/2022

No.	Item Number	Name	Quantity used	Delivery time
	90 20 66 031 00-00	handle	11	10