

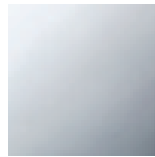


WC - MEM

Tissue holder without cover - polished chrome

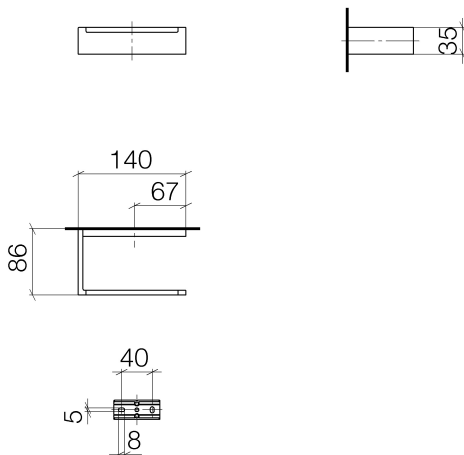
Article number: 83 500 780-00

- Width 5-1/2"
- Height 1-3/8"
- 3-3/8" Projection



polished chrome

Dimensional drawing



All dimensions in mm / inch = mm x 0,0394



WC - MEM

Tissue holder without cover - polished chrome

Article number: 83 500 780-00



WC - MEM

Tissue holder without cover - polished chrome

Article number: 83 500 780-00

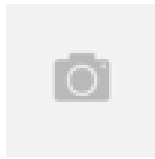
Other surface finishes



platinum matte
83 500 780-06



platinum
83 500 780-08



Brushed Durabross
83 500 780-28



Dark Platinum matte
83 500 780-99

More custom finish options are available via special production (xTra Service). Please see our finish matrix for availability and pricing or contact a Dornbracht representative.

Spare parts list

Number	Item Number	Designation	Number of units
1	05 17 20 718 00 90	fixing set	1
2	04 31 11 112 00 90	pin	1

