

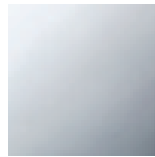


Kitchen - Series- various

Soap dispenser with flange - polished chrome

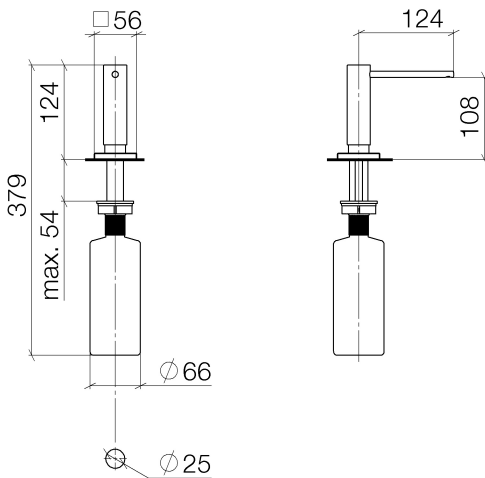
Article number: 82 439 970-00

- 4-7/8" Projection
- 16.91 oz bottle capacity
- Refillable above countertop
- 360° swivel
- Height 4-7/8"
- 1" hole diameter
- Individual flanges 2-1/8" x 2-1/8"



polished chrome

Dimensional drawing



All dimensions in mm / inch = mm x 0,0394



Kitchen - Series—various

Soap dispenser with flange - polished chrome

Article number: 82 439 970-00



Kitchen - Series- various
Soap dispenser with flange - polished chrome
Article number: 82 439 970-00

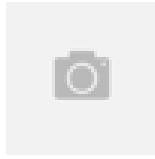
Other surface finishes



platinum matte
82 439 970-06



platinum
82 439 970-08



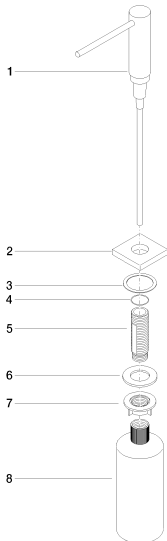
Brushed Durabronz
82 439 970-28



Dark Platinum matte
82 439 970-99

More custom finish options are available via special production (xTra Service). Please see our finish matrix for availability and pricing or contact a Dornbracht representative.

Spare parts list



Number	Item Number	Designation	Number of units
1	90 10 10 538 00-00	dispenser	1
2	08 27 97 505-00	rosette	1
3	08 10 10 624 90	disc	1
4	09 14 10 151 90	seal	1
5	08 10 10 527 90	holder	1
6	09 14 05 014 90	seal	1
7	08 10 10 517 90	nut	1
8	08 10 10 603 90	Bottle -	1