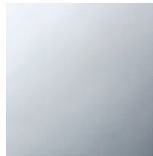


Bathtub - Meta

Hand shower set with integrated wall bracket - polished chrome

Article number: 27 802 660-00 0010

- Standard spray mode
- Descaling system
- 3/8" Shower outlet
- Metal shower hose 49-1/4" with anti-twist device
- Flange diameter 2-3/8"
- 1/2" connection
- Water flow rate limited to max. 1.8 gpm
- Internal backflow preventer.



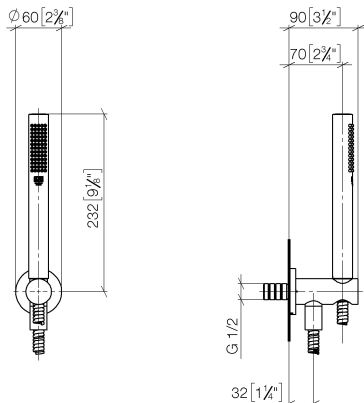
polished chrome

Accessory is required for this item.

Discontinued items available to order until 31.12.9999

Dimensional drawing

mm [inches]





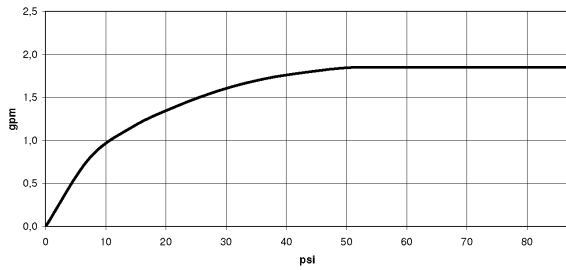
Bathtub - Meta

Hand shower set with integrated wall bracket - polished chrome

Article number: 27 802 660-00 0010

All dimensions in mm / inch = mm x 0,0394

Flow rate chart





Bathtub - Meta

Hand shower set with integrated wall bracket - polished chrome

Article number: 27 802 660-00 0010

Other surface finishes



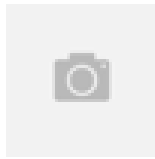
platinum matte

27 802 660-06 0010



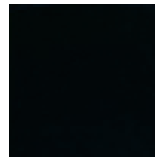
platinum

27 802 660-08 0010



Brushed Durabrass

27 802 660-28 0010



black matte

27 802 660-33 0010



chrome matte

27 802 660-93 0010



Dark Platinum matte

27 802 660-99 0010

More custom finish options are available via special production (xTra Service). Please see our finish matrix for availability and pricing or contact a Dornbracht representative.



35 080 970-90 0010

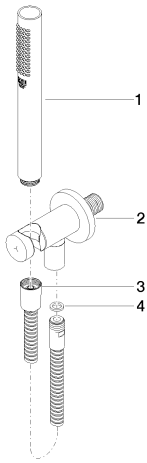
Rough-in adapter -

Bathtub - Meta

Hand shower set with integrated wall bracket - polished chrome

Article number: 27 802 660-00 0010

Spare parts list



Number	Item Number	Designation	Number of units
1	28 013 979-00 0010	Baton hand shower 6.8 l/min - polished chrome	1
2	28 490 660-00	Wall elbow with integrated wall bracket - polished chrome	1
3	09 30 02 072-00	Metal shower hose 1/2" x 3/8" x 49-1/4" - polished chrome	1
4	09 14 20 026 90	seal	1