



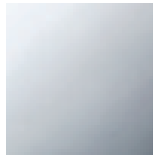
Bathtub - CL.1

Single-lever tub mixer for freestanding installation with hand shower set - polished chrome

Article number: 25 863 705-00



- 9-3/8" Projection
- Rectangular aerator with 55 individual streams
- Hand shower set: Standard spray
- Baton hand shower with descaling system
- Hand shower bracket
- Integrated diverter
- Total height 36-3/4" - 39-5/8"
- Lower body height 23-1/2" - 26-1/4"
- Height to aerator/spout outlet 33-1/2" - 36-1/4"
- Flange 5-1/8" x 5-1/8"
- Metal shower hose 49-1/4" with anti-twist device
- Spout flow rate max. 6.5 gpm
- Handshower flow rate max. 1.8 gpm
- Fittings group in compliance with DIN 4109: 1
- NOTE: Local building codes may require the use of an anti-scald device. Please refer to remote pressure balance valve (35 910 970 90)



polished chrome

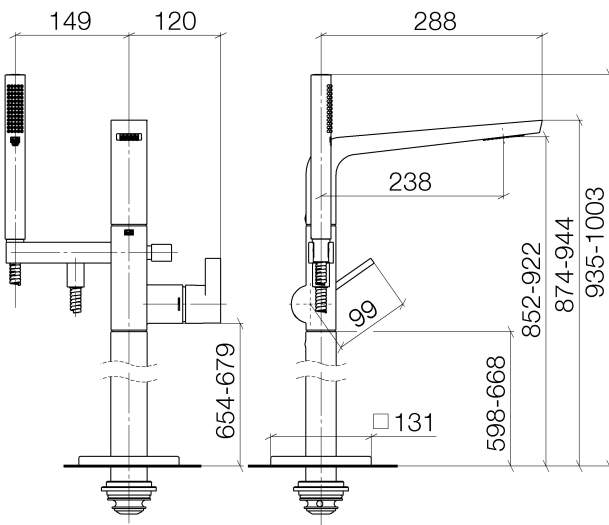
Accessory is required for this item.

Bathtub - CL.1

Single-lever tub mixer for freestanding installation with hand shower set - polished chrome

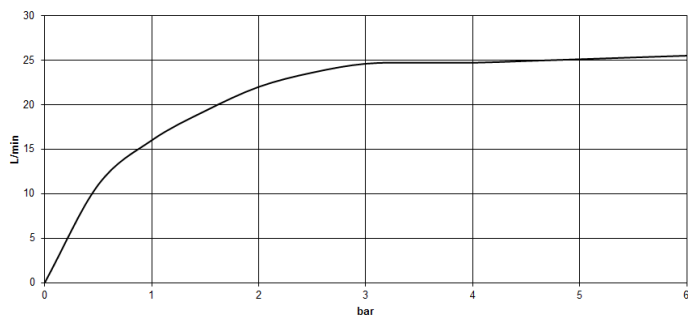
Article number: 25 863 705-00

Dimensional drawing



All dimensions in mm / inch = mm x 0,0394

Flow rate chart





Bathtub - CL.1

Single-lever tub mixer for freestanding installation with hand shower set - polished chrome

Article number: 25 863 705-00

Other surface finishes



platinum matte
25 863 705-06



Dark Platinum matte
25 863 705-99

More custom finish options are available via special production (xTra Service). Please see our finish matrix for availability and pricing or contact a Dornbracht representative.

Required article



35 945 970-90 0010

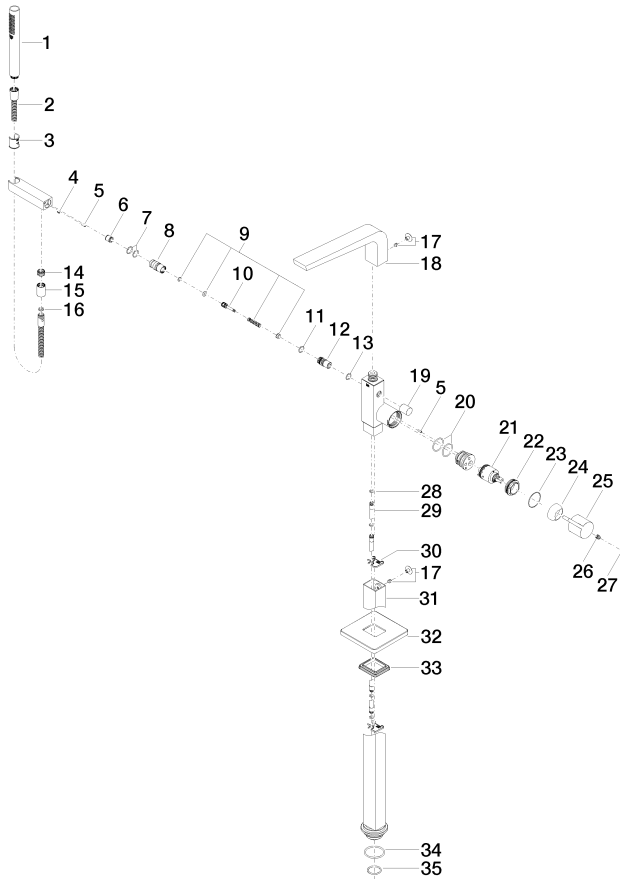
Floor mounting rough set -

Spare parts list

Bathtub - CL.1

Single-lever tub mixer for freestanding installation with hand shower set - polished chrome

Article number: 25 863 705-00



| Number | Item Number | Designation | Number of units |
|--------|--------------------|---|-----------------|
| 1 | 28 013 979-00 0010 | Baton hand shower - polished chrome | 1 |
| 2 | 09 30 02 072-00 | Metal shower hose 1/2" x 3/8" x 49-1/4" - polished chrome | 1 |
| 3 | 09 18 40 118 90 | sleeve | 1 |
| 4 | 09 31 11 058 90 | pin | 1 |
| 5 | 09 31 11 040 90 | pin | 3 |
| 6 | 09 23 01 141 90 | back-flow preventer | 1 |
| 7 | 09 14 10 010 90 | seal | 2 |
| 8 | 09 24 03 130-00 | nipple | 1 |
| 9 | 90 16 02 023 00 90 | spring | 1 |
| 10 | 09 31 09 094 20-00 | pull-rod | 1 |
| 11 | 09 14 10 055 90 | seal | 1 |
| 12 | 09 21 34 080-00 | nipple | 1 |
| 13 | 09 14 10 033 90 | seal | 1 |
| 14 | 09 24 03 069 90 | nipple | 1 |
| 15 | 09 21 02 069-00 | cover | 1 |
| 16 | 09 14 20 026 90 | seal | 1 |
| 17 | 04 31 20 034 00 90 | plug | 2 |
| 18 | 90 11 70 008 00-00 | spout | 1 |
| 19 | 09 20 71 031-00 | handle | 1 |
| 20 | 09 14 10 148 90 | seal | 2 |
| 21 | 90 15 05 039 00 90 | cartridge | 1 |
| 22 | 09 24 04 298 90 | nut | 1 |
| 23 | 09 14 10 037 90 | seal | 1 |
| 24 | 09 28 30 036-00 | cover | 1 |
| 25 | 09 20 67 014-00 | handle | 1 |
| 26 | 09 31 11 030 90 | pin | 1 |
| 27 | 90 31 20 087 00-00 | plug | 1 |
| 28 | 09 14 10 139 90 | seal | 2 |
| 29 | 04 28 22 025 00 90 | connection | 2 |
| 30 | 09 20 93 051 90 | holder | 2 |
| 31 | 04 28 22 024 00-00 | pipe | 1 |
| 32 | 09 27 71 011-00 | rosette | 1 |
| 33 | 09 14 03 107 90 | seal | 1 |
| 34 | 09 14 10 084 90 | seal | 1 |
| 35 | 09 14 10 018 90 | seal | 1 |