



## Bathtub - Meta

Tube spout for wall-mounted installation - polished chrome

Article number: 13 801 660-00

- 7-7/8" Projection
- Round aerator
- Flange diameter 2-3/8"
- 1-1/2" hole diameter
- 1/2" connection
- Water flow rate limited to max. 6.5 gpm
- Fittings group in compliance with DIN 4109: 1

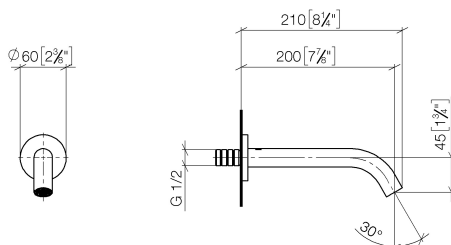


polished chrome

Discontinued items available to order until 31.12.9999

## Dimensional drawing

mm [inches]



All dimensions in mm / inch = mm x 0,0394

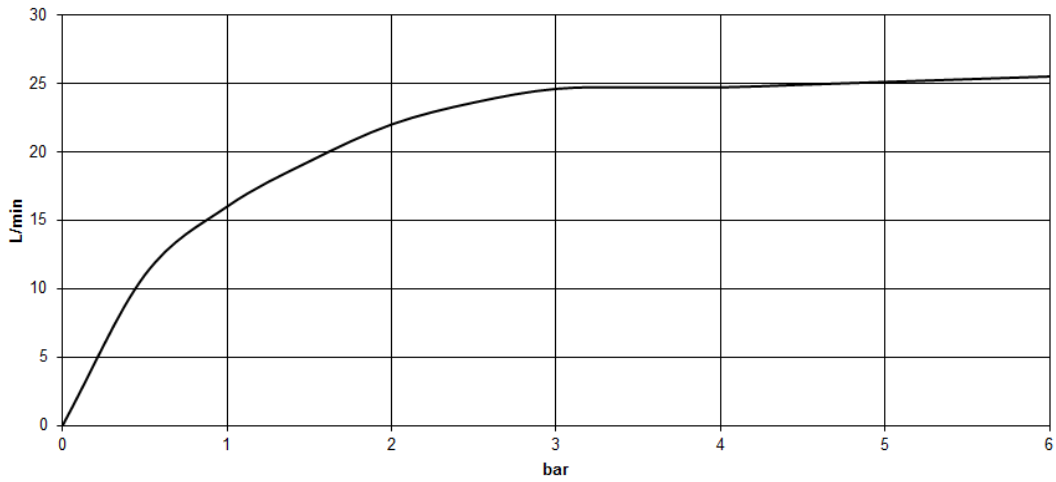


Bathtub - Meta

Tub spout for wall-mounted installation - polished chrome

Article number: 13 801 660-00

### Flow rate chart





## Bathtub - Meta

Tub spout for wall-mounted installation - polished chrome

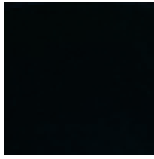
Article number: 13 801 660-00

### Other surface finishes



platinum matte

13 801 660-06



black matte

13 801 660-33



chrome matte

13 801 660-93

More custom finish options are available via special production (xTra Service). Please see our finish matrix for availability and pricing or contact a Dornbracht representative.



35 080 970-90 0010

Rough-in adapter -

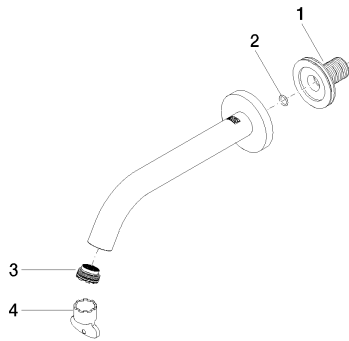


## Bathtub - Meta

Tube spout for wall-mounted installation - polished chrome

Article number: 13 801 660-00

### Spare parts list



Number	Item Number	Designation	Number of units
1	09 24 03 280 90	nipple	1
2	09 14 10 060 90	seal	1
3	09 29 03 055 90	aerator	1
4	04 30 09 024 00 90	key	1