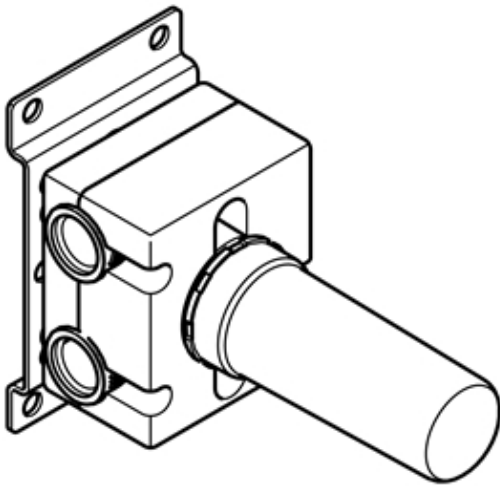


Shower - FM products
Wall mounted two-way diverter -
Article number: 35 128 970-90 0010



- brass, lead free
- female thread 1/2" connection
- 2x outlet 1/2"
- Mud guard
- Water protection
- Sound insulation
- Wall elbow 1/2" (concealed rough parts) Also compatible with xGrid
- NOTE: Important for certain series! Due to minimum rough-in requirements, a framing of 2x6 studs may be needed.



All dimensions in mm / inch = mm x 0,0394



Shower - FM products

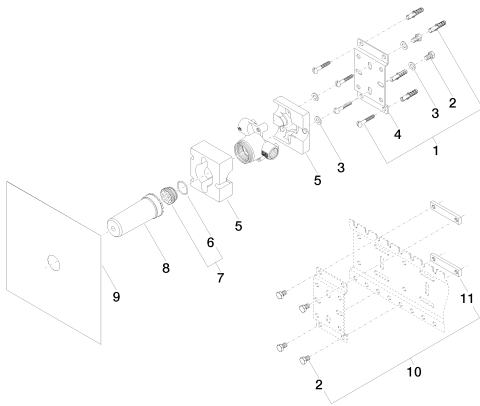
Wall mounted two-way diverter -

Article number: 35 128 970-90 0010



Shower - FM products
Wall mounted two-way diverter -
Article number: 35 128 970-90 0010

Spare parts list



Number	Item Number	Designation	Number of units
1	04 30 31 024 01 90	Mounting bracket -	2
2	09 30 30 152 90	Mounting bracket -	6
3	09 30 11 139 90	disc	4
4	09 17 20 094 90	Holder -	1
5	09 11 11 035 90	Accessories FM -	1
6	09 14 10 112 90	Washer -	1
7	04 30 11 149 00 90	Washer -	1
8	09 21 02 136 90	Protective cap -	1
9	04 14 03 116 00 90	Washer -	1
10	04 17 20 100 00 90	Mounting bracket -	1
11	09 17 20 100 90	Mounting bracket -	2