

FFST Series

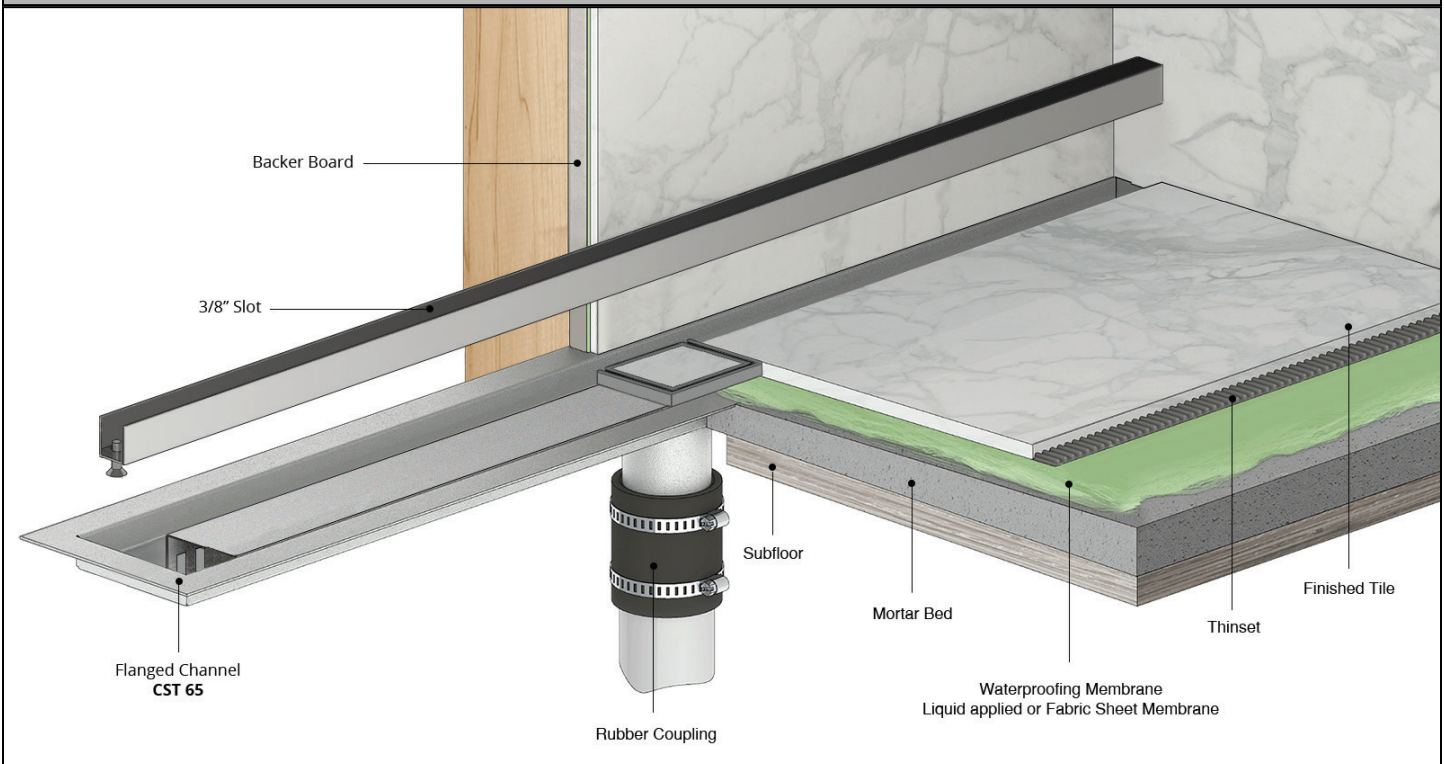
Fixed Flange Slot Drain

- FFST 24 - 24" Complete Kit
- FFST 32 - 32" Complete Kit
- FFST 36 - 36" Complete Kit
- FFST 42 - 42" Complete Kit
- FFST 48 - 48" Complete Kit
- FFST 60 - 60" Complete Kit

Features

- Fixed flange with centered outlet location
- Indoor or outdoor use
- 16 gauge, 304L stainless steel slot and channel assembly
- 12 gauge Tile Insert clean out
- Pre - pitched channel
- Clean out can be removed for cleaning
- NOT Site Sizable®
- Compatible with: liquid applied or fabric sheet membranes
- Flow rate - 9 gpm per outlet
 - Flow rate measured at outlet only. Measurement does not account for water in channel or sheeting on shower floor.
 - Additional outlets can be added and combined into a larger waste line to increase flow rates

Installation



Care & Maintenance

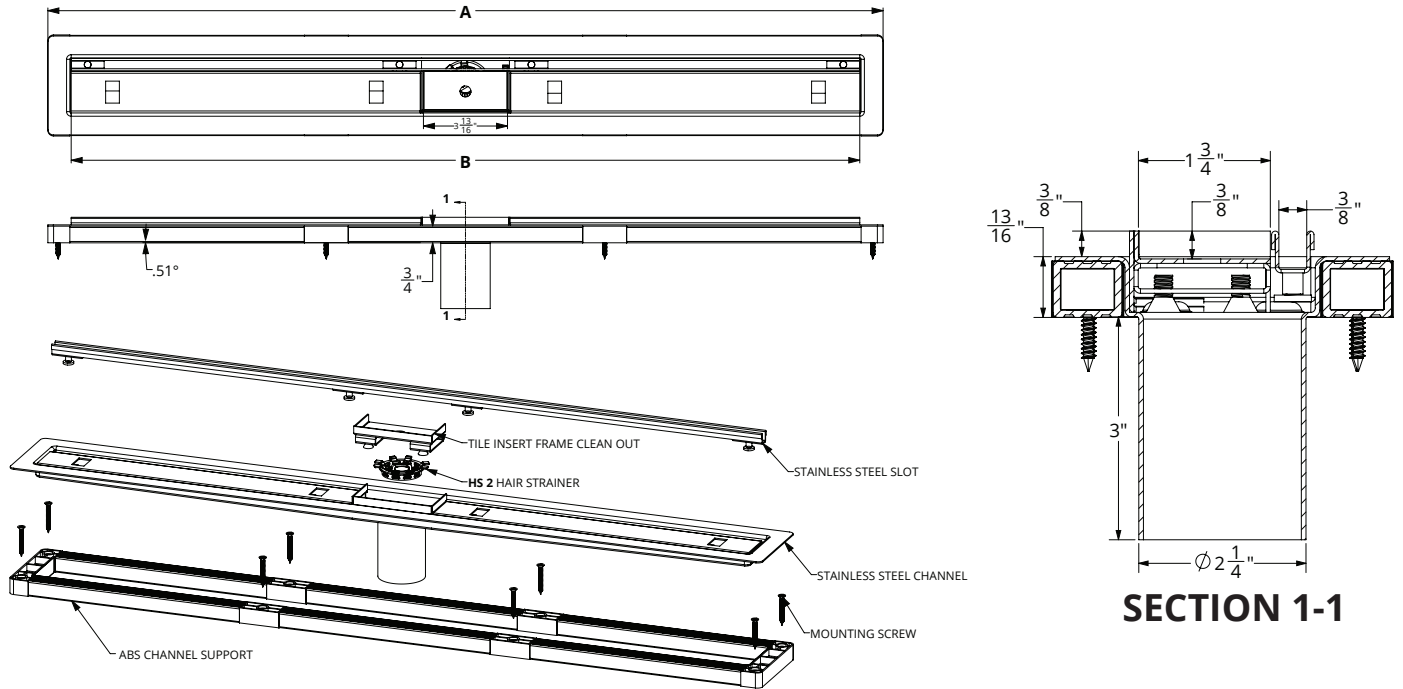
FFST 65 stainless steel linear drains are made of 304L stainless steel. This material is non-porous, hygienic, rust-free and extremely durable. Bar Keepers Friend® and Soft Scrub® are commonly available products that can be used to protect and clean your Satin Stainless drain cover. For stains that have been left for an excessive amount of time, stronger cleaning agents such as Steel Brite® may be needed. For Polished Stainless and other finishes we recommend a mild soap and a soft cloth for cleaning. DO NOT use any abrasive cleaners, scrub pads or allow household cleaning agents, such as bleach, to sit on the drain cover for a long period of time. Stainless steel does not rust. External factors, such as contamination from other highly ferrous metals, built up road salt, sea salt, or chlorine may have caused "surface" rust which can be removed using Barkeepers Friend®, Soft Scrub®, or Steel Brite®. Always follow the directions on the bottle. Follow proper maintenance procedures to prevent excessive surface rust. In areas of frequent exposure to salt, chlorine, and other chemical compounds, maintenance of the stainless grates should be performed at least 2-3 times per year.

Infinity Drain
 145 Dixon Avenue
 Amityville, NY 11701
 Phone: 516.767.6786
 Fax: 516.740.3066
 www.infinitydrain.com



NOTE: Installer must verify all rough-in dimensions prior to installation and consult local and national codes. Conformity and compliance to local and national codes are the responsibility of the installer.

ID Infinity Drain®



| Model Number | Complete Kit Contents | A (Maximum Overall Length) | B (Maximum Slot Length) |
|--|--|-------------------------------|----------------------------|
| <input type="checkbox"/> FFST 24 | 1 - 24" Slot 1 - CST 24 Fixed Flange Slot Channel 1 - Tile Insert Clean Out 1 - HS 2 Hair Strainer 1 - AKEY Lift Out Key | 26" | 23 7/8" |
| <input type="checkbox"/> FFST 32 | 1 - 32" Slot 1 - CST 32 Fixed Flange Slot Channel 1 - Tile Insert Clean Out 1 - HS 2 Hair Strainer 1 - AKEY Lift Out Key | 34" | 31 7/8" |
| <input type="checkbox"/> FFST 36 | 1 - 36" Slot 1 - CST 36 Fixed Flange Slot Channel 1 - Tile Insert Clean Out 1 - HS 2 Hair Strainer 1 - AKEY Lift Out Key | 38" | 35 7/8" |
| <input type="checkbox"/> FFST 42 | 1 - 42" Slot 1 - CST 42 Fixed Flange Slot Channel 1 - Tile Insert Clean Out 1 - HS 2 Hair Strainer 1 - AKEY Lift Out Key | 44" | 41 7/8" |
| <input type="checkbox"/> FFST 48 | 1 - 48" Slot 1 - CST 48 Fixed Flange Slot Channel 1 - Tile Insert Clean Out 1 - HS 2 Hair Strainer 1 - AKEY Lift Out Key | 50" | 47 7/8" |
| <input checked="" type="checkbox"/> FFST 60 | 1 - 60" Slot 1 - CST 60 Fixed Flange Slot Channel 1 - Tile Insert Clean Out 1 - HS 2 Hair Strainer 1 - AKEY Lift Out Key | 62" | 59 7/8" |

Stock Finishes

- Satin Stainless
 Polished Stainless
 Matte Black
 Satin Bronze
 Oil Rubbed Bronze

Infinity Drain
 145 Dixon Avenue
 Amityville, NY 11701
 Phone: 516.767.6786
 Fax: 516.740.3066
 www.infinitydrain.com



NOTE: Installer must verify all rough-in dimensions prior to installation and consult local and national codes. Conformity and compliance to local and national codes are the responsibility of the installer.