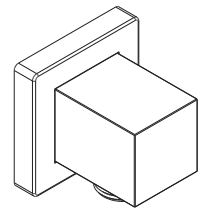


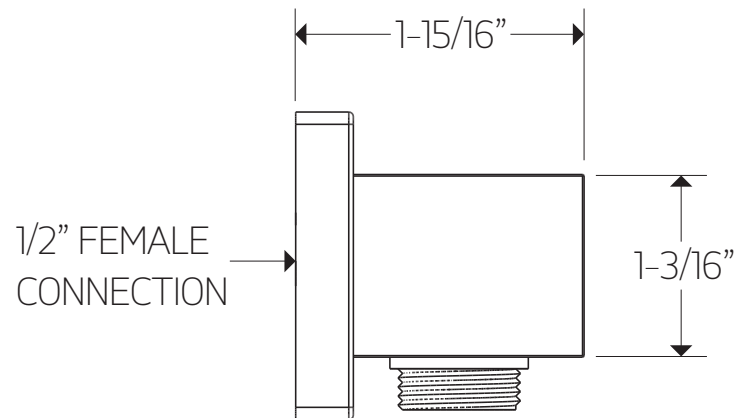
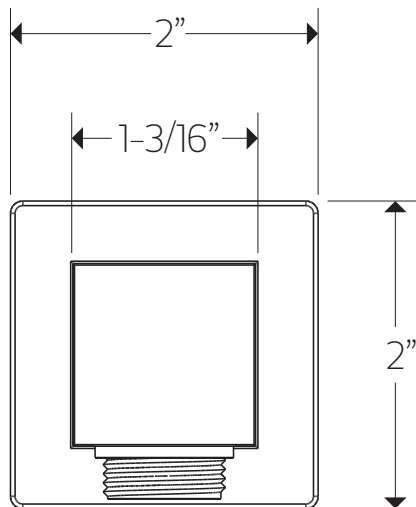
artos[®]



F902-39

TECHNICAL DATA SHEET

shower outlet elbow squ



artos[®]

F902-39

OPERATING SPECIFICATIONS

shower outlet elbow squ



MAX TEMPERATURE

Maximum: 176°F

OPERATING PRESSURE

Maximum: 125psi

Minimum: 20psi

Recommended: 30psi- 95psi

INLET

1/2" Female NPT