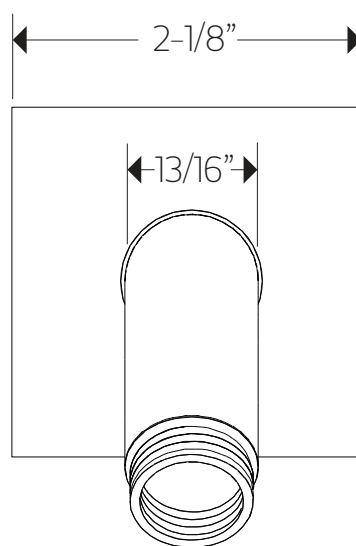
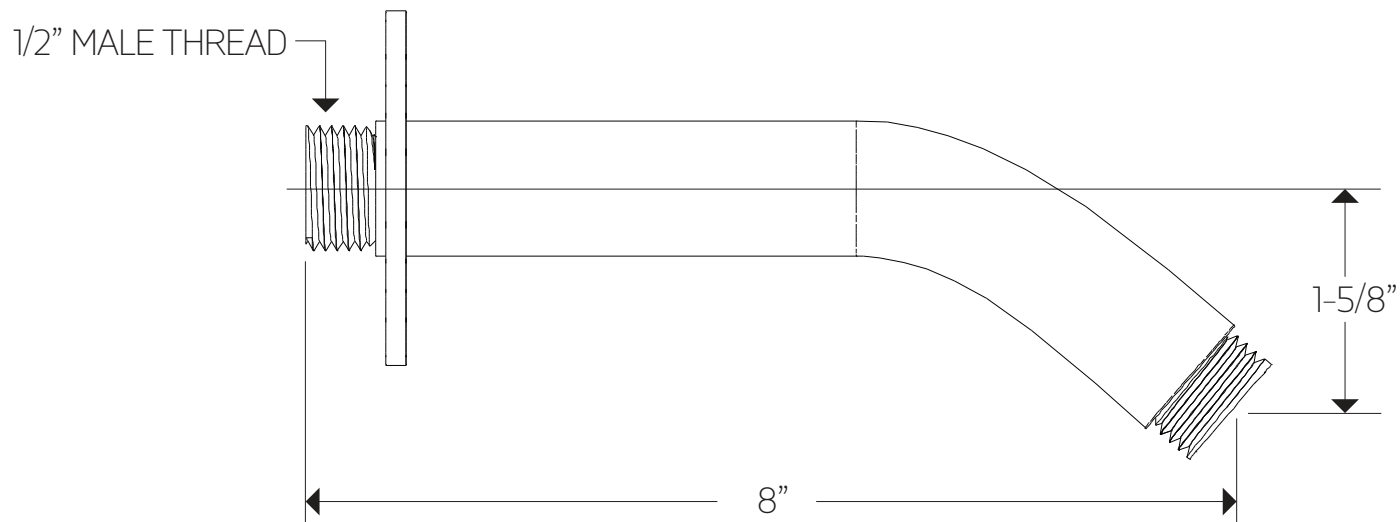


F902-28

## TECHNICAL DATA SHEET

angled shower arm, wall  
mount r+s



# artos

F902-28

## OPERATING SPECIFICATIONS

angled shower arm, wall  
mount r+s



### FEATURES

Angled Wall Mount

### OPERATING PRESSURE

Recommended: 15 psi- 75 psi

Pressure above 90 psi, it may be necessary to install a pressure reducer.

### MAX OPERATING TEMPERATURE

176°F