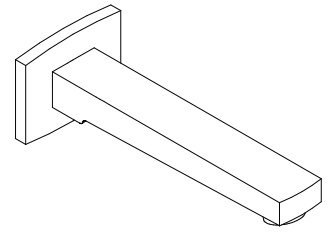


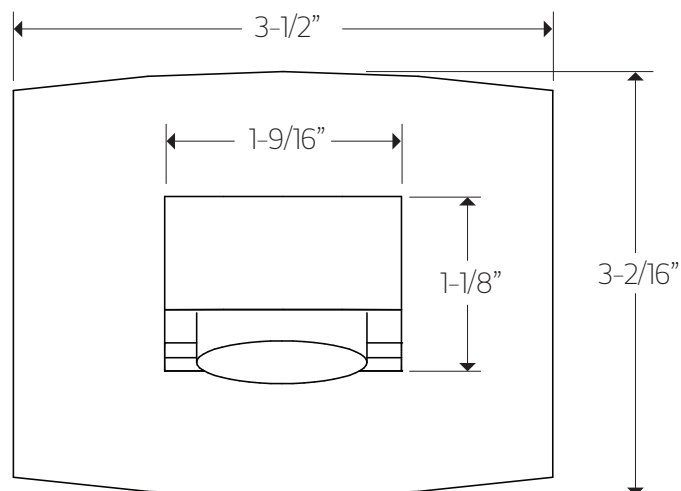
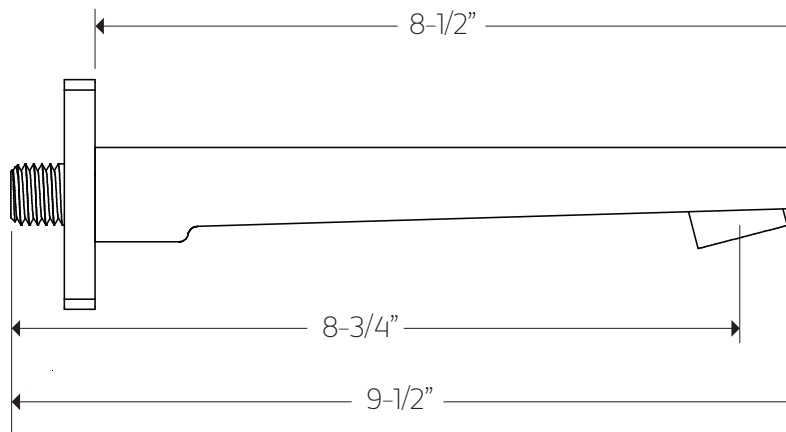
artos[®]



F702-3

TECHNICAL DATA SHEET

in wall tub spout, safire



artos

F702-3

OPERATING SPECIFICATIONS

in wall tub spout, safire



OPERATING PRESSURE

Minimum: 15 psi

Maximum: 75 psi

Above 90psi it may be necessary to install a pressure reducer

OPERATING TEMPATURE

Maximum: 176°

FLOW CAPACITY

6.1 USGPM

INLET/OUTLET

1/2" Male NPT