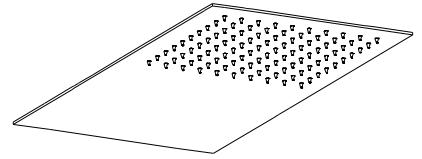


# artos<sup>®</sup>



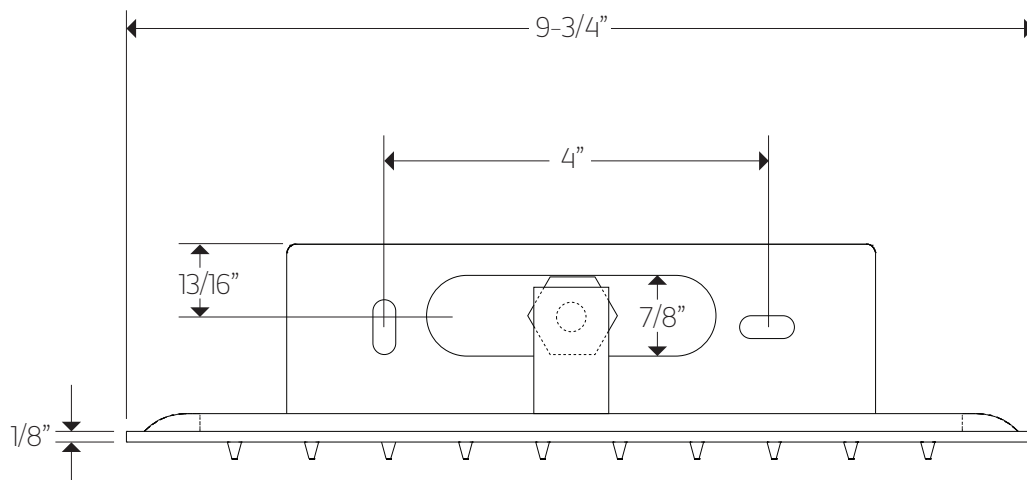
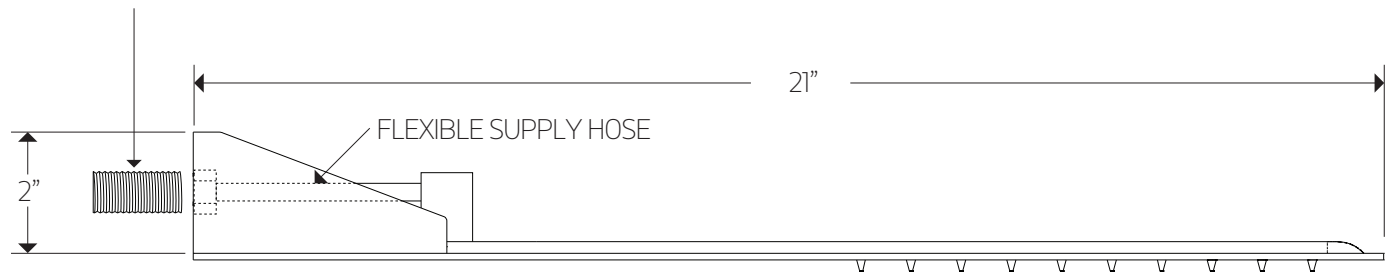
## F403-1

## TECHNICAL DATA SHEET

shower rainhead wall mount  
squ

MALE NPT CONNECTOR

[THREADS INTO FEMALE FITTING, SET AT MIN 1/4" MAX 3/4" BEHIND FINISH WALL SURFACE]



# artos<sup>®</sup>

F403-1

## OPERATING SPECIFICATIONS

shower rainhead wall mount  
squ



### FEATURES

Rainhead flow

### FLOW RATE

2.0USGPM

### OPERATING PRESSURE

Minimum: 15 psi

Maximum: 75 psi

Above 90psi, may need to install a pressure reducer

### OPERATING TEMPERATURE

Maximum: 176°

### INLET/OUTLET

1/2" Female NPT

### REQUIREMENTS

This unit requires controls