

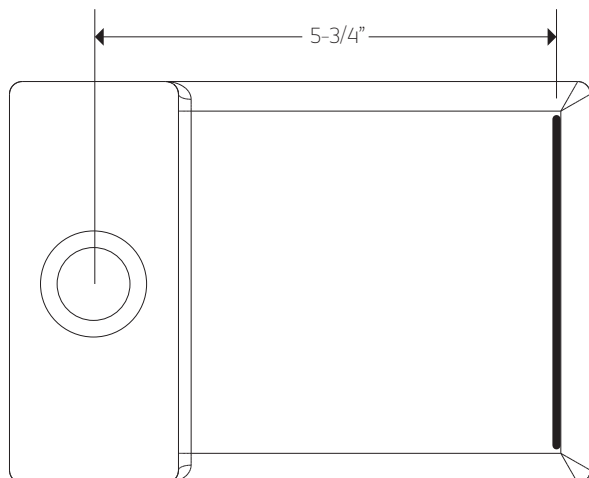
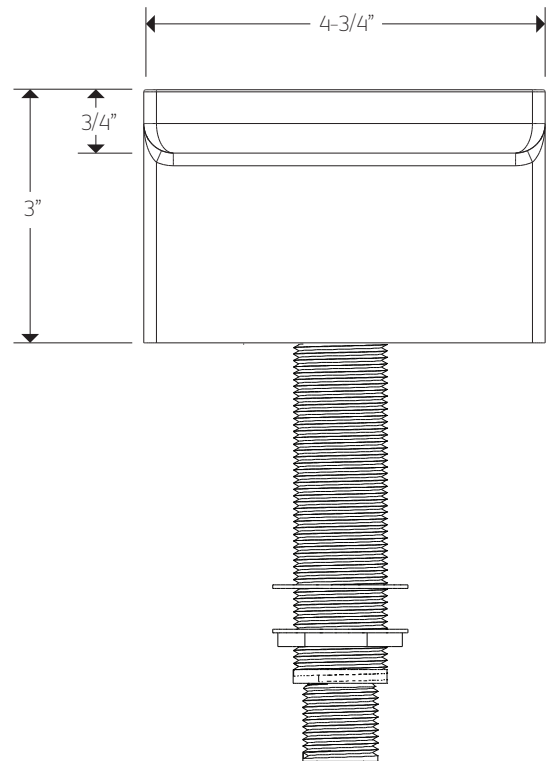
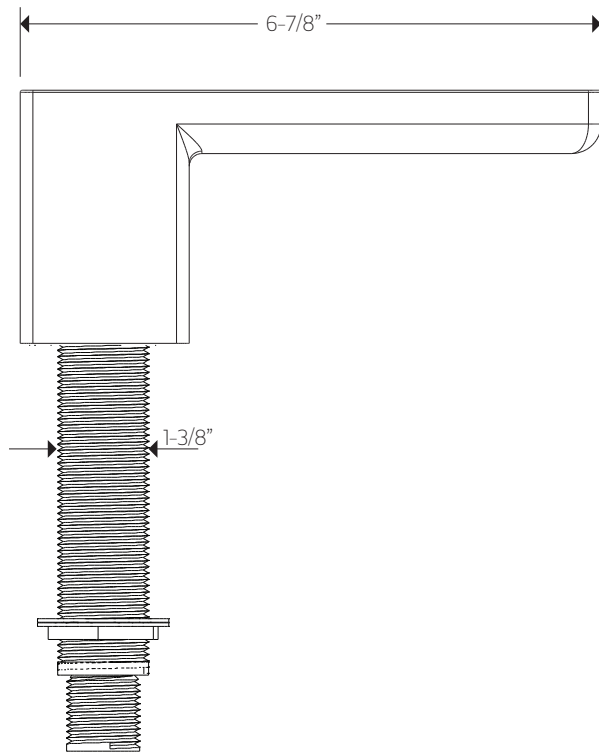
# artos<sup>®</sup>



F402-2

## TECHNICAL DATA SHEET

deck mount tub filler squ



# artos<sup>®</sup>

F402-2

## OPERATING SPECIFICATIONS

deck mount tub filler squ



### FEATURES

Deck mount tub filler

### OPERATING PRESSURE

Minimum: 15 psi

Maximum: 75 psi

Above 90psi it may be necessary to install a pressure reducer

### FLOW RATE

12.0 USGPM