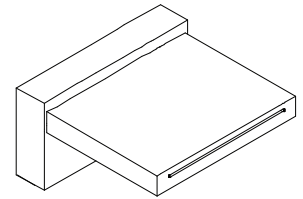


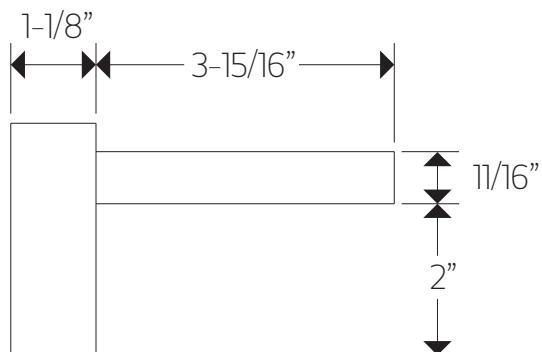
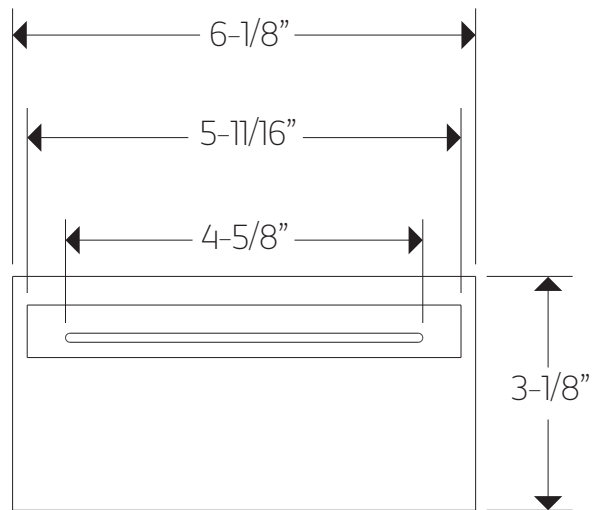
# artos<sup>®</sup>



F202-8

## TECHNICAL DATA SHEET

quarto deck mount tub filler

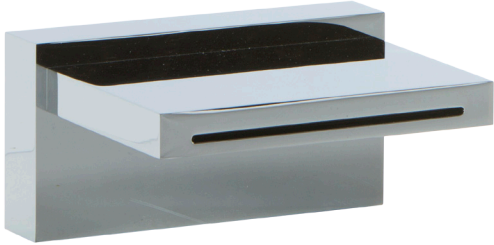


# artos

F202-8

## OPERATING SPECIFICATIONS

quarto deck mount tub filler



### FEATURES

Front Ribbon Water Flow

### OPERATING PRESSURE

Minimum: 15 psi

Maximum: 75 psi

Above 90psi it may be necessary to install a pressure reducer

### OPERATING TEMPERATURE

Maximum: 176°

### FLOW RATE

6.0 USGPM