
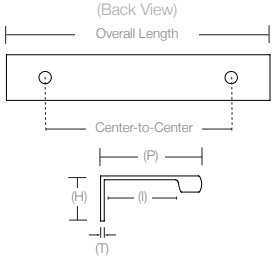


CONTEMPORARY


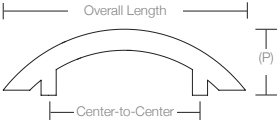
Cabinet Knobs & Pulls Technical Specifications

EMTEK


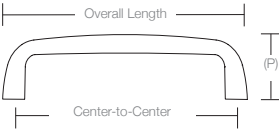
Edge Pull

		Product Code	Dimension C-to-C	Overall Length	Projection(P)	Height(H)	Inner Projection(I)	Thickness(T)
		87160	1"	1 1/2"	1 3/4"	3/4"	1 1/4"	1/16"
		87100	3"	4 1/4"	1 3/4"	3/4"	1 1/4"	1/16"
		87110	4"	5 1/4"	1 3/4"	3/4"	1 1/4"	1/16"
		87120	6"	7 1/4"	1 3/4"	3/4"	1 1/4"	1/16"
		87130	8"	9 1/4"	1 3/4"	3/4"	1 1/4"	1/16"
		87140	10"	11 1/4"	1 3/4"	3/4"	1 1/4"	1/16"
		87150	12"	13 1/4"	1 3/4"	3/4"	1 1/4"	1/16"

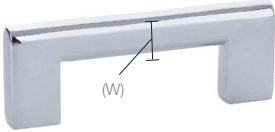
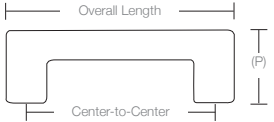
Arch Pull (Discontinued. No Longer Available)

		Product Code	Dimension C-to-C	Overall Length	Projection(P)
		86153	3"	4 3/4"	1 1/8"
		86154	3 1/2"	5 1/4"	1 1/8"
		86155	4"	5 3/4"	1 1/8"
		86251	6"	8 3/4"	1 1/4"

Orbit Pull

		Product Code	Dimension C-to-C	Overall Length	Projection(P)
		86256	3"	3 3/8"	1"
		86257	3 1/2"	3 7/8"	1"
		86258	4"	4 3/8"	1"
		86259	6"	6 3/8"	1"
		86260	10"	10 3/8"	1"

Trail Pull

		Product Code	Dimension C-to-C	Overall Length	Projection(P)	Width(W)
		86161	3"	3 3/4"	1 3/8"	1/2"
		86162	3 1/2"	4 1/4"	1 3/8"	1/2"
		86163	4"	4 3/4"	1 3/8"	1/2"
		86272	5"	5 3/4"	1 3/8"	1/2"
		86164	6"	6 3/4"	1 3/8"	1/2"
		86165	8"	8 3/4"	1 3/8"	1/2"
		86273	10"	10 3/4"	1 3/8"	1/2"
		86166	12"	12 3/4"	1 3/8"	1/2"
		86274	16"	16 3/4"	1 3/8"	1/2"