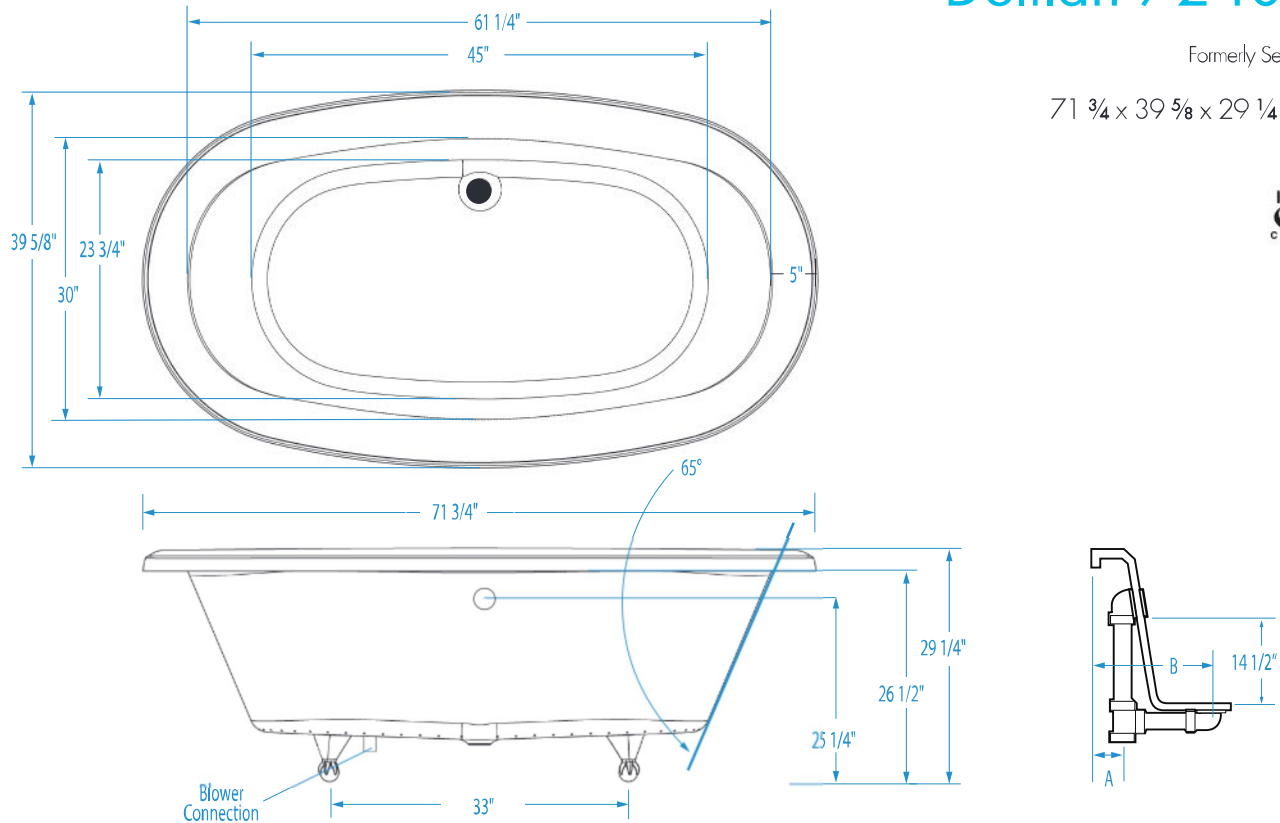


# Delilah 7240CF

Formerly Serenity 10

71 3/4 x 39 5/8 x 29 1/4 inches



**FEATURES** Dimensional Tolerance  $\pm 3/8"$ . Dimensions needed for site preparation should be measured from the unit. Manufacturer assumes no responsibility for preparatory work.

Type and Model #	Material	System	Powered By	Heater	Controls	Drain	Pkg. Wt. lbs
Soaker #W10AIR7240TO	Cast Acrylic	-	-	-	-	Center Front	487
Air Bath #W10AIR7240	Cast Acrylic	Air injection	Variable speed blower	Inline	Electronic	Center Front	517

**DIMENSIONS** inches

Width Inches	Depth Inches	Height Inches	Skirt Height
71 3/4	39 5/8	29 1/4	-

**SUMP DATA** inches

Capacity to Overflow gal	Min. Operating Capacity gal	WIDTH @ centerline		DEPTH @ centerline	
		Top	Bottom	Top	Bottom
78	-	61 1/4	45	30	23 3/4

**PLUMBING DIMENSIONS** inches

A	B	Drain Diameter / Clearance
3 1/4	12 1/8	2 / 5 1/4

**ELECTRICAL DATA**

Component	Specification	Requirement
Heated Blower (Air Bath)	10.5 AMP; 120V	15 AMP; 120V, separate circuit; Class A GFCI

**NOTES:**

- 1) Where applicable, utilize cutout templates packed with unit for deck cutouts.
- 2) 16 x 16 minimum access required at pump/blower location(s).

Each Serenity air bath is equipped with an air heating system to raise the temperature of the air entering the bath. This air temperature will be lower than the bathing temperature of the water, but will help reduce rapid decrease in water temperature. In addition, the air coming from the air jets will feel cool against the skin. This system does not heat the water.