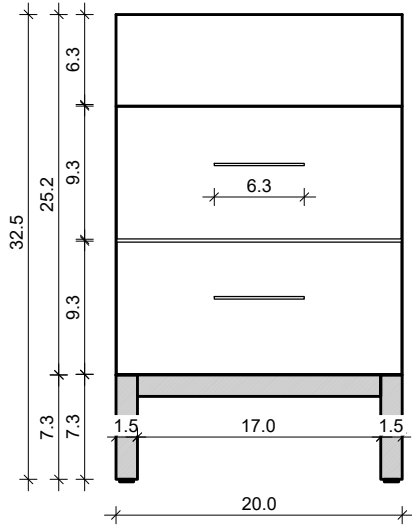
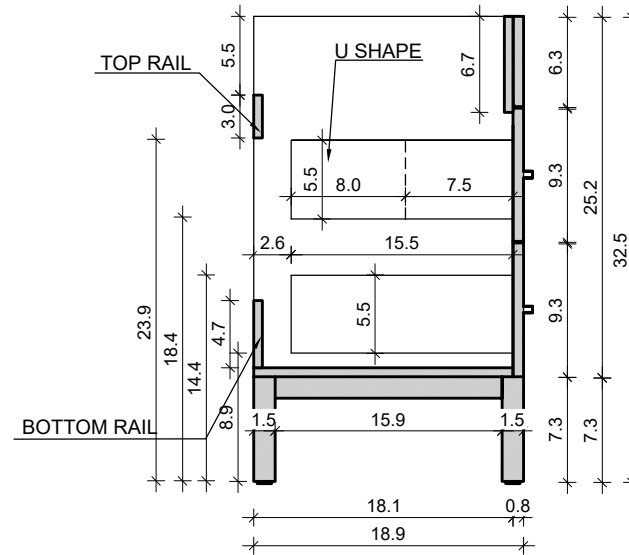


DAYTONA TRIBECA 21-02

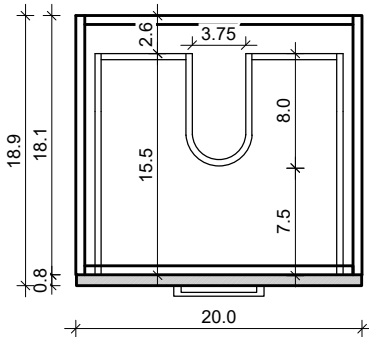
Drawings below are shown with 7.3 inch aluminum frame, for wall hung dimensions please deduct 7.3 inch



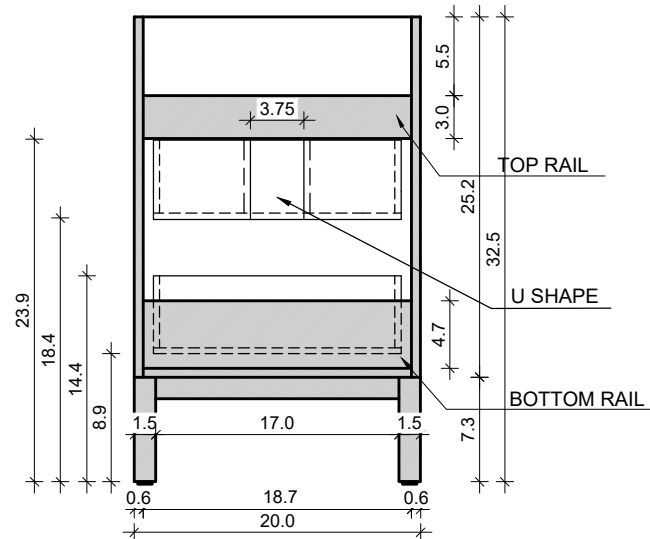
FRONT VIEW



SIDE VIEW



TOP VIEW



BACK VIEW