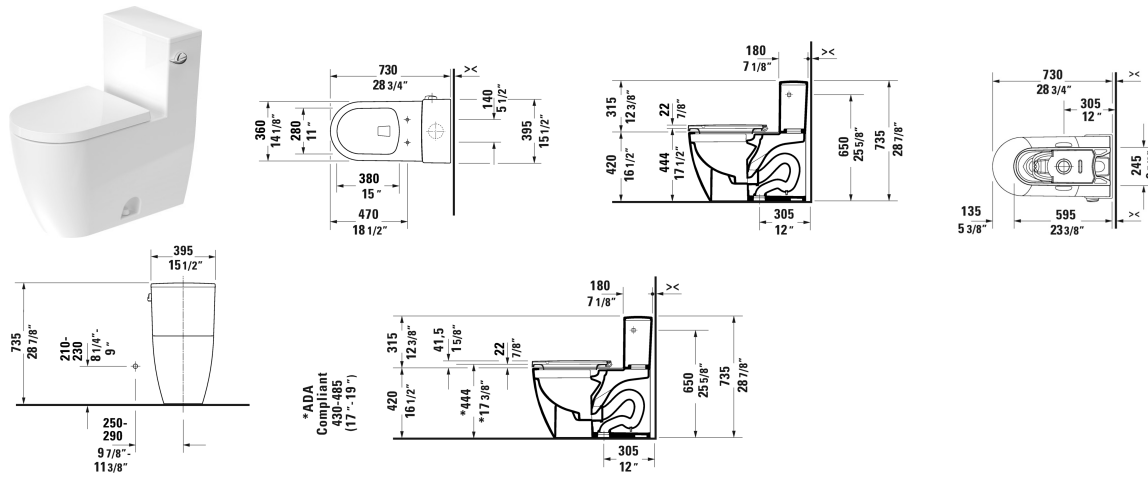


**ME by Starck Toilet kit # D42020.. / D42020..**

**< 14 1/8" Inch >**



Toilet kit	Dimension	Weight	Order number
One-Piece toilet & Toilet seat and cover, WaterSense® listed, cUPC® listed*, vertical outlet, rimless, syphonic, 12" rough-in, with single flush mechanism with side lever left, 1.28 gpf			
<b>Colors</b>			
00 White 20 HygieneGlaze (an antibacterial ceramic glaze that provides almost indefinite effectiveness)			
<b>Variant</b>			
	14 1/8" x 28 3/4" Inch	152.6 lb	D42020..
	14 1/8" x 28 3/4" Inch	152.6 lb	D42020..
<b>Suitable products</b>			
Toilet seat and cover elongated, hinges stainless steel, removable, with slow close,			002029
One-Piece toilet Duravit Rimless® rimless, syphonic, 12" rough-in, vertical outlet, cUPC® listed*, WaterSense® listed, 14 14 1/8" x 28 3/4 Inch 1/8" x 28 3/4 Inch			218501

All drawings contain the necessary measurements which are subject to standard tolerances. They are stated in inch & mm and are non-binding. Exact measurements, in particular for customized installation scenarios, can only be taken from the finished ceramic piece.