

**ICARUS
67" CAST IRON
SLIPPER TUB**

Cat. No.
CTSN67



L: 67"
W: 29"
H: 21-1/2" & 27-5/8" (from floor to top of tub)

Water depth: 17-1/2" to top of tub
Water depth: 13-3/8" to overflow

The following is recommended for CTSN67 tubs without faucet holes:

- Faucets: part #4602, 4604 or 7082
- Rigid, freestanding supplies: Part #4502
- Leg tub drain: part #5599

Gallon Capacity: 57
Shipping Weight: 410 lbs.
Empty Weight: 300 lbs.
Filled Weight: 776 lbs.

Features:

- ▶ Inside finish is white enamel
- ▶ Cast Iron ball and claw feet available in 8 finishes
- ▶ Tub exterior is white (epoxy)
- ▶ No faucet holes
- ▶ Feet attached and leveled before shipment
- ▶ Tub is thoroughly inspected before shipment

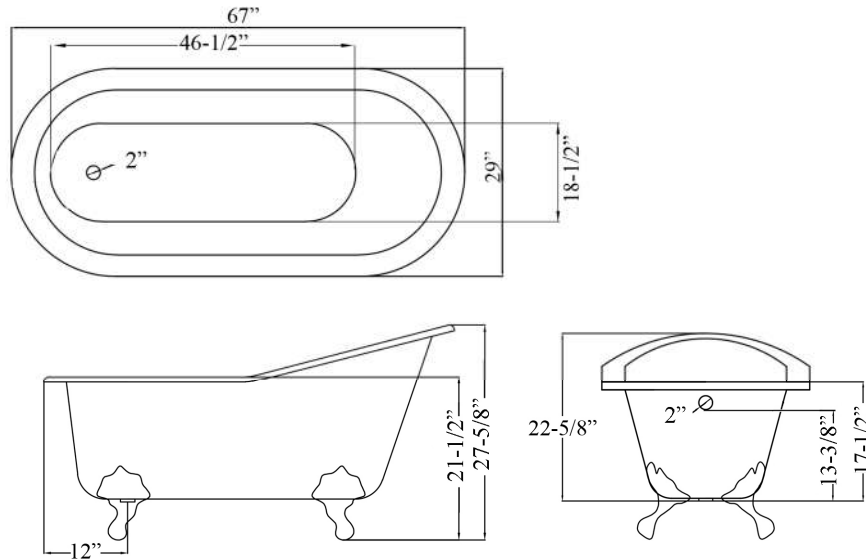
Foot Finishes:

- BP** Polished Brass
- CP** Polished Chrome
- PN** Polished Nickel
- BN** Brushed Nickel



- BL** Black
- WH** White
- BQ** Painted Bisque
- ORB** Oil-Rubbed Bronze

Custom Colors Available (inside of tub is always white enamel):
Painted bathtubs are considered "special order" and are not returnable
\$160 Bisque or Black \$250 Designer Color



Dimensions of fixture are nominal and may vary within the range of tolerances established by ANSI Standard A112.19.1M. Dimensions and specifications subject to change without notice.