

**BALLARD
57" CAST IRON
ROLL TOP TUB**

Cat. No.
CTRH58



L: 57"
W: 30-1/2"
H: 22-3/4" (from floor to top of tub)

Depth: 12-1/2" to overflow

The following is recommended for CTRH58 tubs with faucet holes:

- Tub wall-mounted faucets or hand-held showers: part# **4022, 4025, 4035**
- Tub wall-mounted faucets for use with risers: part# **4001, 4013, 4023, 4030, 4031**
- Double offset bath supplies: part #**5576**
- Leg tub drain: part #**5599**
- Complete shower unit: part# **4124, 4143**

| | |
|------------------|----------|
| Gallon Capacity: | 34 |
| Shipping Weight: | 356 lbs. |
| Empty Weight: | 246 lbs. |
| Filled Weight: | 530 lbs. |

Features:

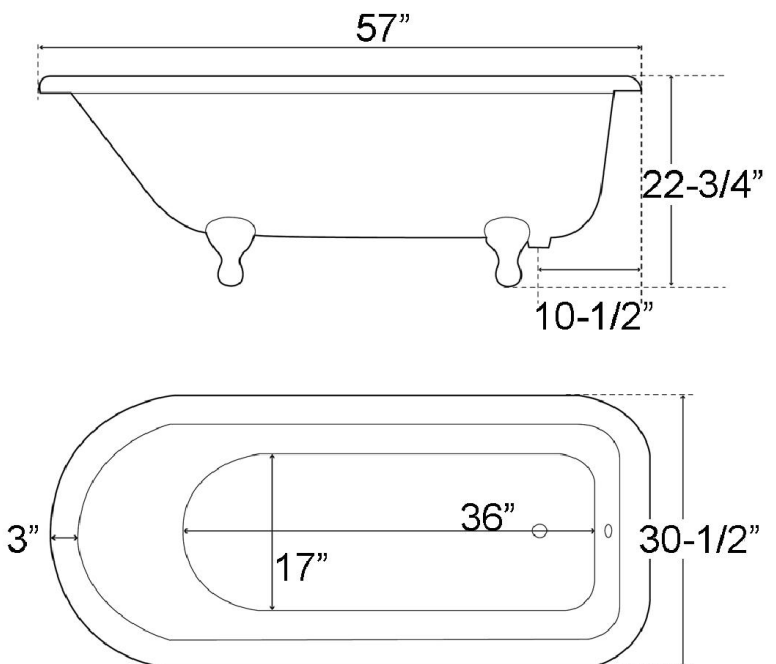
- ▶ Inside finish is white enamel
- ▶ Tub exterior is white (epoxy)
- ▶ 3-3/8" centers in tub wall
- ▶ Pre-drilled overflow hole
- ▶ Feet are attached and leveled before shipment
- ▶ Cast Iron ball and claw feet available in 5 finishes
- ▶ Tub is thoroughly inspected before shipment

Foot Finishes:

- BP** Polished Brass
- CP** Polished Chrome
- SN** Brushed Nickel
- WH** White
- ORB** Oil-rubbed Bronze



Custom Colors Available (inside of tub is always white enamel):
Painted bathtubs are considered "special order" and are not returnable
\$160 Bisque or Black \$250 Designer Color



Dimensions of fixture are nominal and may vary within the range of tolerances established by ANSI Standard A112.19.2. Dimensions and specifications subject to change without notice.