

71" MARSHALL CAST IRON DOUBLE SLIPPER TUB WITH BASE

Cat. No.
CTDSHB



L: 71"
L (Base): 48"
W: 30-1/2"
W (Base): 26"
H: 31-1/8" (from floor to top of tub)
H(Base): 8-1/2"



The following is recommended for CTDSHB tubs with deck holes:

- Rim-mounted faucet: part #4601
- Straight bath supplies: part #5577
- Leg tub drain: part #5599

Note

To prevent the accumulation of standing water under your tub base we recommend using a bead of silicone between the base and the floor.

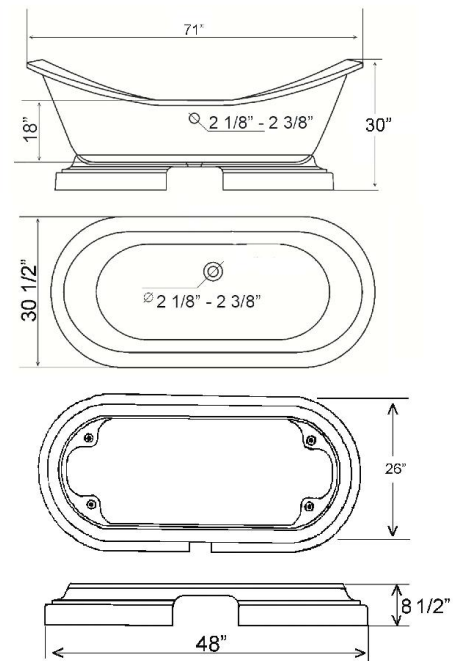
Gallon Capacity: 43 1/2
Shipping Weight: 740 lbs.
Empty Weight: 490 lbs.
Filled Weight: 854 lbs.

Features:

- ▶ Inside finish is white enamel
- ▶ 7" deck holes in long side of tub
- ▶ Pre-drilled overflow hole
- ▶ Tub exterior is white
- ▶ Non-skid strips
- ▶ Cutout in base for waste and overflow



Custom Colors Available (inside of tub is always white enamel):
Painted bathtubs are considered "special order" and are not returnable
\$160 Bisque or Black \$250 Designer Color



Dimensions of fixture are nominal and may vary within the range of tolerances established by ANSI Standard A112.19.2. Dimensions and specifications subject to change without notice.