



# Ove

## BOV 03

inch 72x36x22 mm 1829x914x559



### Interior dimensions

Rim: 63x27 inch — 1600x686 mm  
 Base: 54x23 inch — 1372x584 mm  
 Height: 17,625 inch — 448 mm

### Capacity to overflow

85 gal (us) — 320 liters

### Weight

279 lb — 126 kg

### Installation

Freestanding

### Accessory

Oak bridge wenge shade

### Material

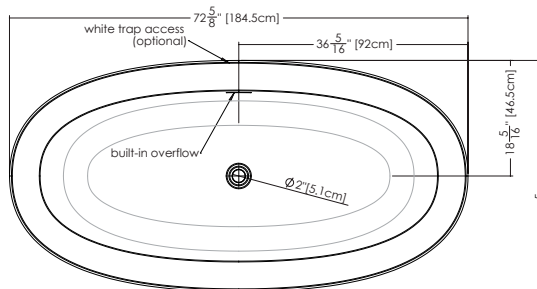
WETMAR Bio™

### Color and finishes

White, True High Gloss™ or matte

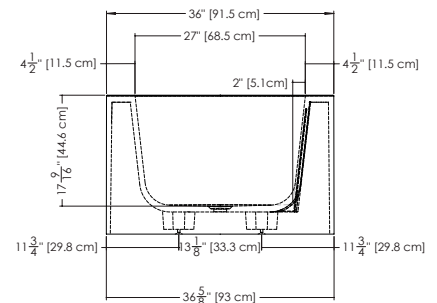
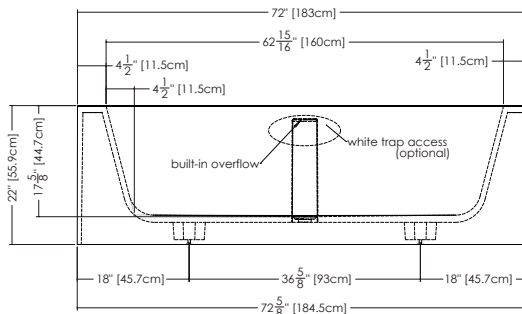
### Codes/standards applicable

IAPMO-ANSI Z124.1  
 IAPMO-ANSI Z124.3  
 CSA B 45.0 - CSA B45.4



WETSTYLE Plug & Bathe™ overflow and drain connection system includes:

- Soft-touch pop-up drain, for built-in overflow. Fits both 1-1/2\"/>
- 1-1/2\"/> ABS Direct vertical drain waste fitting (copper/brass option also available)
- 1-1/2\"/> ABS 90° Elbow drain waste fitting (copper/brass option also available)



WETSTYLE cannot be held responsible for any technical errors and reserves the right to make revisions without notice.  
 Approximate measurement. The manufacturer accept 1/4" (6.35mm) variance.





\* optional white trap access



\* optional white trap access



Over

## BOV 03

inch 72x36x22 mm 1829x914x559

### ■ Overflow and drain connection

WETSTYLE Plug & Bathe™ system  
(ABS or copper/brass)

### ■ Overflow

Built-in  
Slot design  
Polished chrome or brushed nickel

### ■ Drain

Soft toe touch  
Polished chrome or brushed nickel

### ■ Option

Columns for wall or deck-mounted  
faucets (*refer to the Column collection pg 163*)

Trap access