

Premier Copper Products

CODE/STANDARD COMPLIANCE

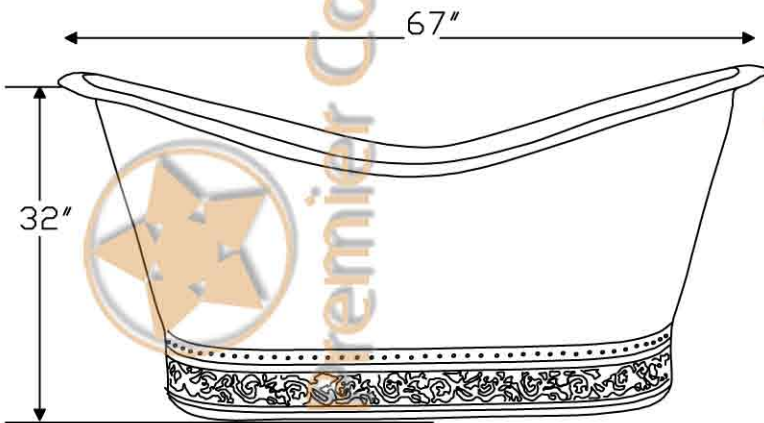
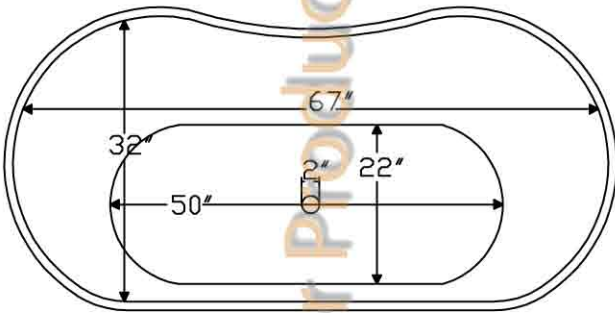
* IAPMO/UPC LISTED



ITEM # BTN67DB COPPER DOUBLE SLIPPER TUB

OUTER DIMENSIONS: 67"X32"X32"

DRAIN SIZE: 2" CENTER



IMPORTANT: THIS PRODUCT IS HAND CRAFTED AND SMALL VARIANCES MAY OCCUR. DIMENSIONS MAY VARY UP TO 1/2". DO NOT MAKE ANY INSTALLATION CUTS UNTIL YOU RECEIVE YOUR TUB.