

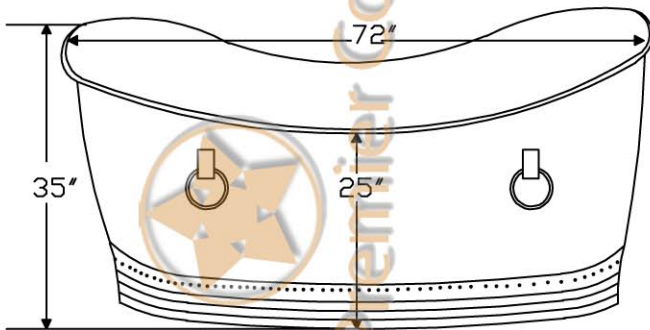
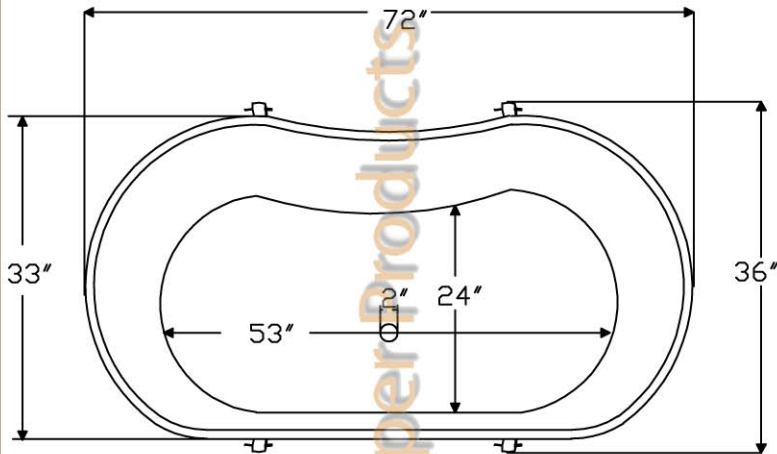


ITEM # BTDR72DB 72" COPPER DOUBLE SLIPPER TUB W/ RINGS

OUTER DIMENSIONS: 72"X33"X35"

DRAIN SIZE: 2" CENTER

MATERIAL GAUGE: 16



IMPORTANT: THIS PRODUCT IS HAND CRAFTED AND SMALL VARIANCES MAY OCCUR. DIMENSIONS MAY VARY UP TO 1/2".