



Premier Copper Products

CODE/STANDARD COMPLIANCE

* IAPMO/UPC LISTED

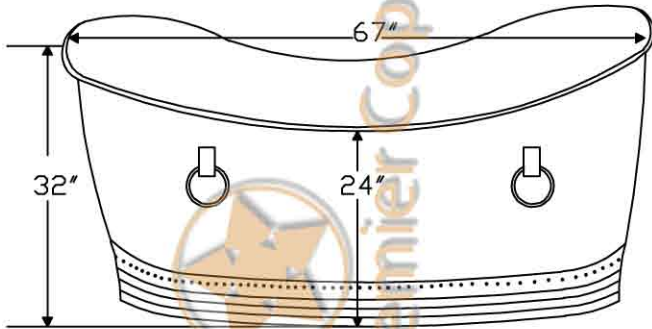
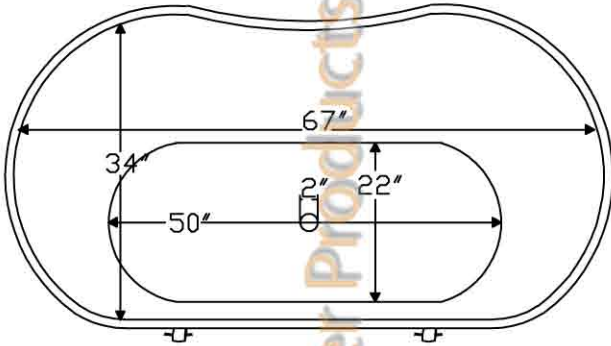


ITEM # BTDR67DB 67" COPPER DOUBLE SLIPPER TUB W/ RINGS

OUTER DIMENSIONS: 67"X34"X32"

DRAIN SIZE: 2" CENTER

MATERIAL GAUGE: 16



IMPORTANT: THIS PRODUCT IS HAND CRAFTED AND SMALL VARIANCES MAY OCCUR. DIMENSIONS MAY VARY UP TO 1/2". DO NOT MAKE ANY INSTALLATION CUTS UNTIL YOU RECEIVE YOUR TUB.