

# BRIZO®

## LAVATORY FAUCETS

- Siderna® Bath Collection
- Two Handle Wall-Mounted Lavatory Valve

### STANDARD SPECIFICATIONS:

- Max. 1.50 gpm @ 60 psi, 5.70 L/min @ 414 kPa
- Max. (ECO models only) 1.20 gpm @ 60 psi, 4.54 L/min @ 414 kPa
- Three hole mount
- Control mechanism shall be of the rotating ceramic cylinder type with 90° (1/4 turn) rotation
- Recommend 1 1/2" hole size
- Drain sold separately
- Handles attach to valve by use of magnets inside handles. No set screw required.
- Handles sold separately

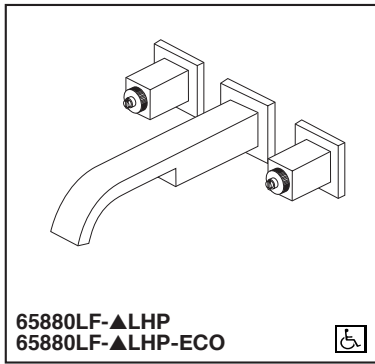
### WARRANTY

- Lifetime limited warranty on parts (other than electronic parts and batteries) and finishes; or, for commercial users, for 5 years from date of purchase.
- 5 year limited warranty on electronic parts (other than batteries); or, for commercial users, for 1 year from the date of purchase. No warranty is provided on batteries.



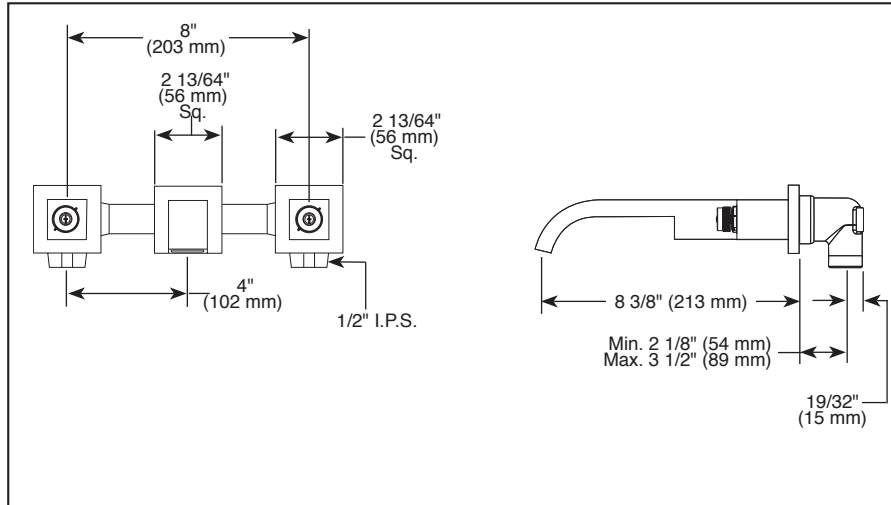
### COMPLIES WITH:

- ASME A112.18.1 / CSA B125.1
- ASME A112.18.2 / CSA B125.2
- Indicates compliance to ICC/ANSI A117.1
- EPA WaterSense®
- Verified compliant with .25% weighted average Pb content regulations.



Submitted Model No.: \_\_\_\_\_

Specific Features: \_\_\_\_\_



HL5880▲ (Metal Inserts)	HL5881▲ (Green Glass Inserts)	HL5882▲ (Solar Gray Glass Inserts)

▲ Designate Proper Finish Suffix