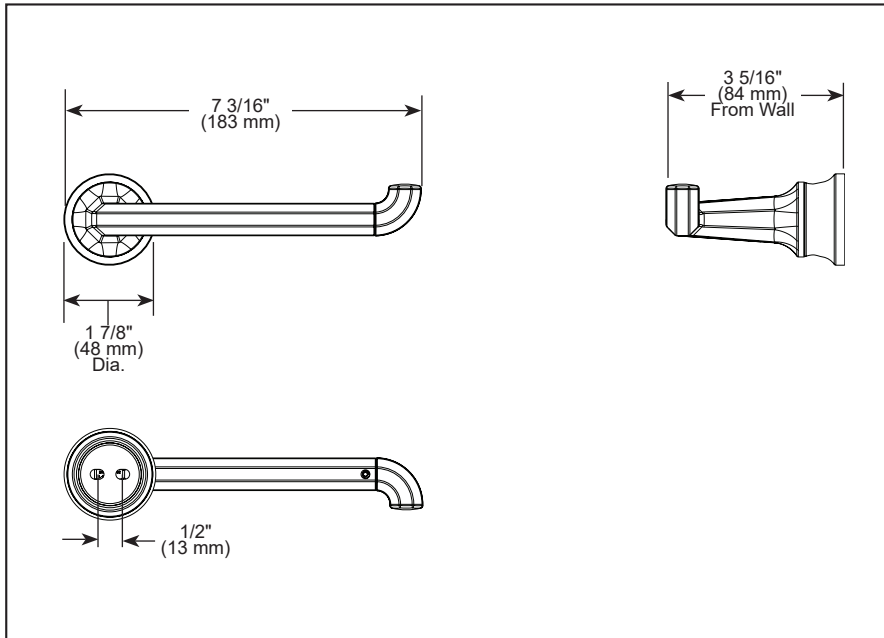
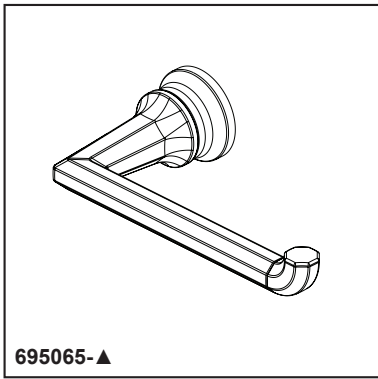


BRIZO®

ACCESSORIES

- Beauclere™ Bath Collection
- Tissue Holder

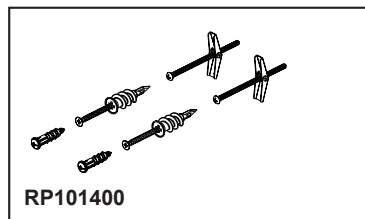
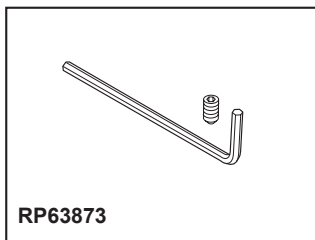


STANDARD SPECIFICATIONS:

- Wood blocking is preferable behind all wall surfaces. If wood blocking is not available, try finding a wood stud to anchor this accessory.
- Mounting hardware and mounting instructions included with product.
- Plastic anchors, screws, toggle bolts, and mounting brackets are included with the mounting hardware.
- Tissue holder can be installed in either direction by adjusting end piece.

WARRANTY

- Parts and Finish - Lifetime limited warranty; or for commercial purchasers, 10 years for multi-family residential (apartments and condominiums) and 5 years for all other commercial uses, in each case from the date the product is received by the original purchaser or their authorized representative (installation contractor, etc.).
- Electronic Parts and Batteries (if applicable) - 5 years from the date the product is received by the original purchaser or their authorized representative (installation contractor, etc.); or for commercial purchasers, 1 year from the date the product is received by the original purchaser or their authorized representative (installation contractor, etc.). No warranty is provided on batteries.



▲ Designate proper finish suffix