



PREMIER  
COPPER PRODUCTS

# ITEM # BS15DB3 15" SQUARE BAR

OUTER DIMENSIONS: 15"X15"X7"

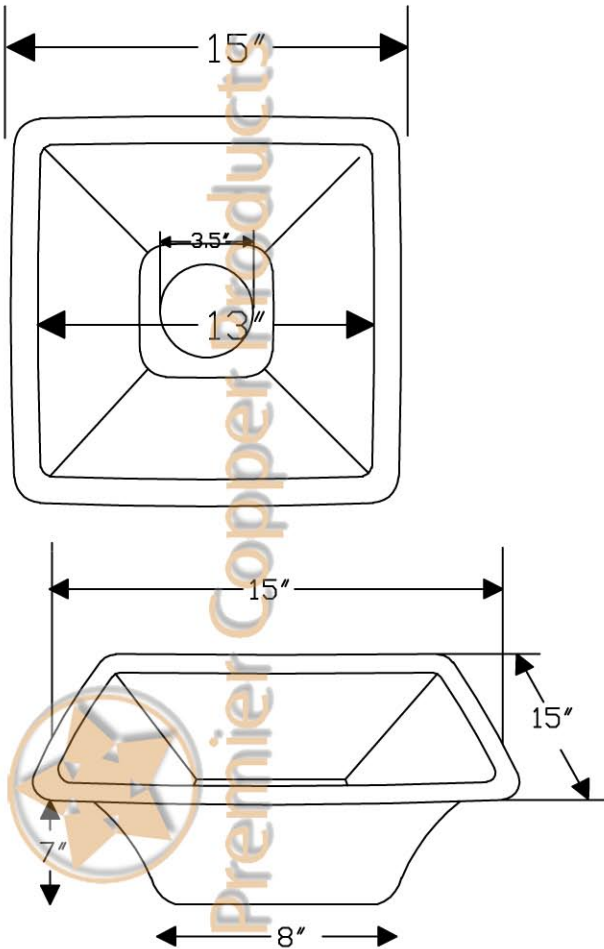
INNER DIMENSIONS: 13"X13"X7"

DRAIN SIZE: 3.5" PREP STANDARD

MATERIAL GAUGE: 16

CODE/STANDARD COMPLIANCE

\* IAPMO/cUPC LISTED



**IMPORTANT:** THIS PRODUCT IS HAND CRAFTED AND SMALL VARIANCES MAY OCCUR. DIMENSIONS MAY VARY UP TO 1/4". DO NOT MAKE ANY INSTALLATION CUTS UNTIL YOU RECEIVE YOUR SINK.