



California Faucets®

D Street®

Single Handle Lavatory Wall Faucet Trim Only

Features

- Available in 28 finishes including 13 PVD finishes
- All brass construction
- Single handle allows for volume & temperature control at any position
- 1.2gpm (4.5 L/min) max flow rate
- Rough valve (SHV-R) sold separately

TO-V5201-7
TO-V5201-9



Codes/Standards Applicable

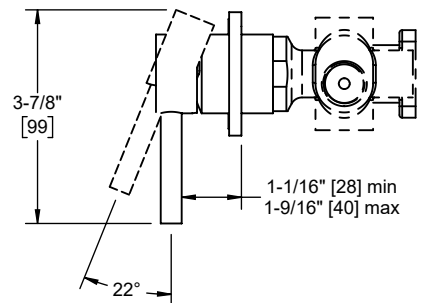
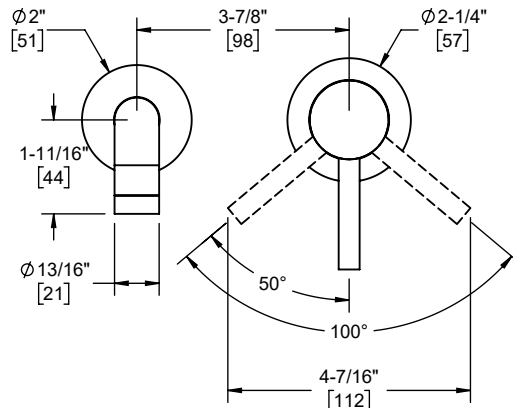
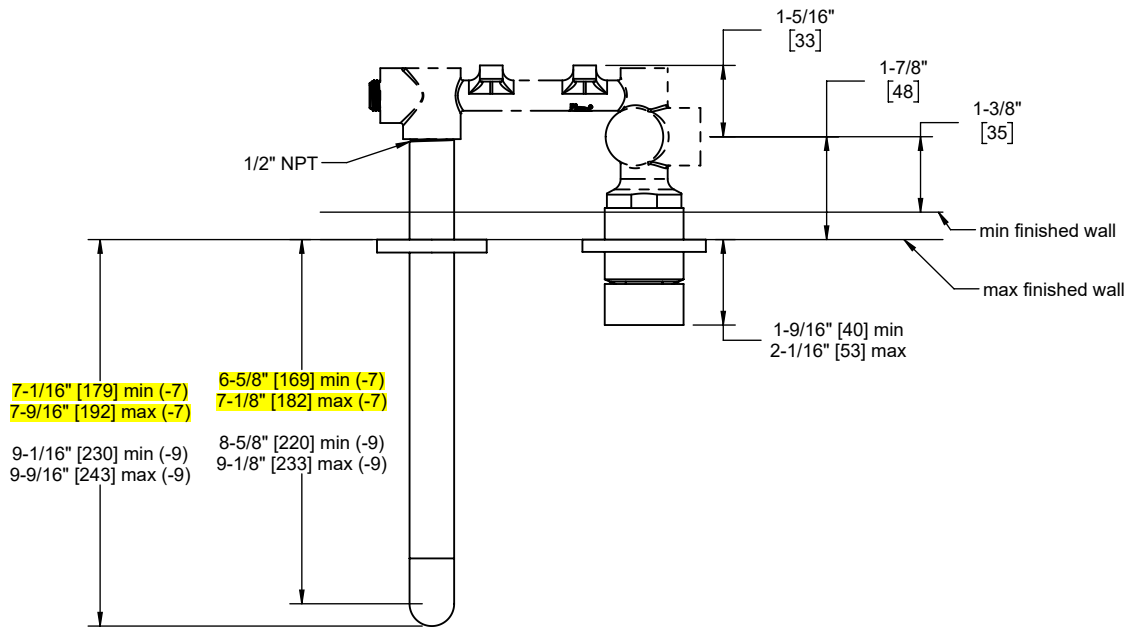
Product meets or exceeds the following:

- ASME A112.18.1/CSA B125.1
- NSF 61, NSF 372, CEC & DOE
- EPA WaterSense
- Commonwealth of MA
- ADA compliant



TO-V5201-7-SN shown

Finish -
*** Graphite**



Through-Hole Specifications			
	Min	Recommended	Max
Spout:	∅1"	∅1-1/4"	∅1-5/8"
	[25]	[32]	[41]
Handle:	∅1-5/8"	∅1-3/4"	∅2"
	[41]	[44]	[51]

Specifications subject to change without notice

Dimensions are inches, rounded to 1/16"
[Dimensions in brackets are mm, rounded to 1mm]