



### Features

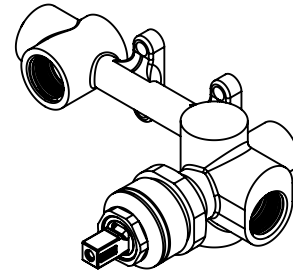
- Forged brass construction
- Ceramic mixing cartridge
- 1/2" FIP - 2 inlet
- 1/2" FIP outlet

### Codes/Standards Applicable

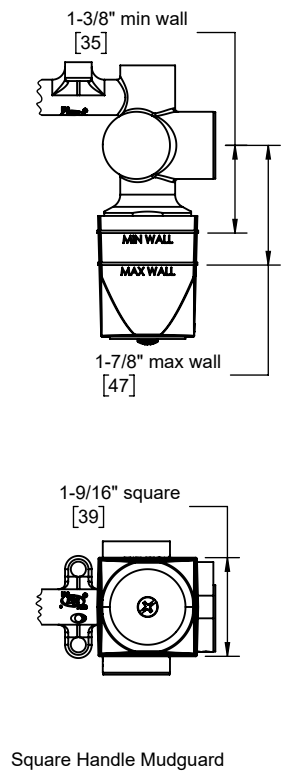
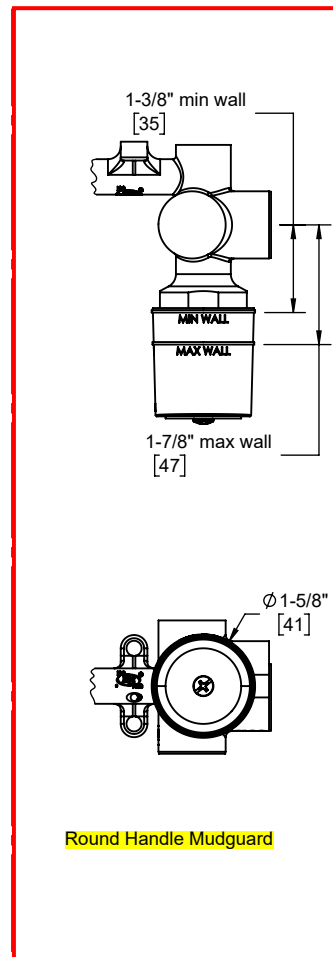
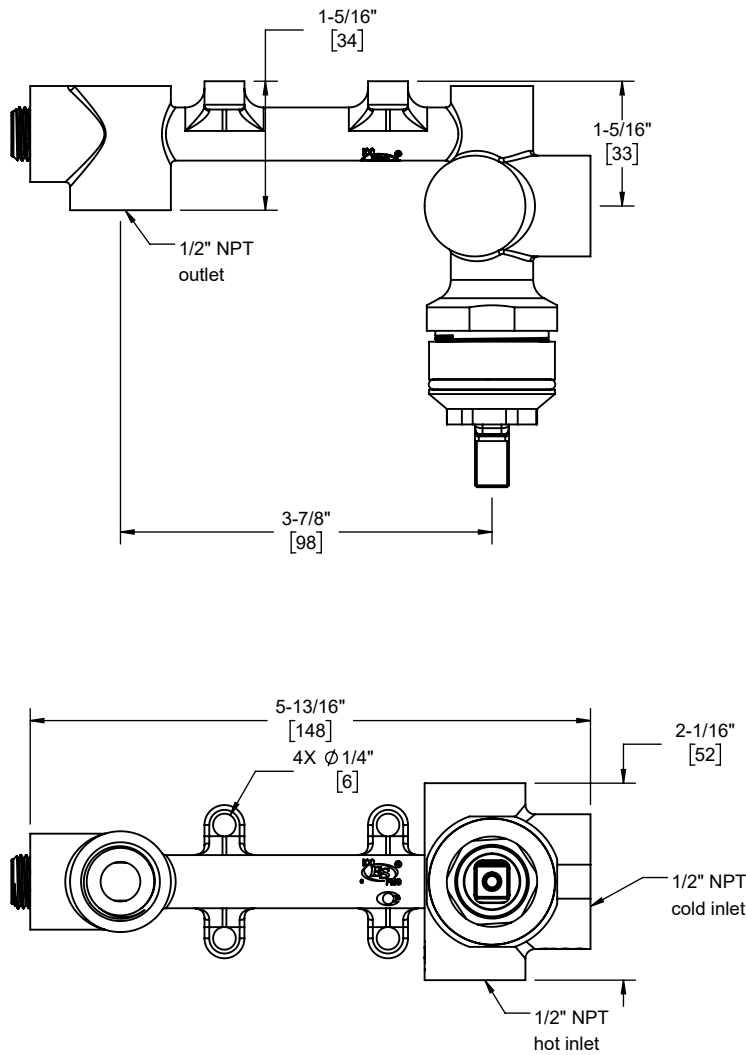
Product meets or exceeds the following:

- ASME A112.18.1/CSA B125.1
- NSF 61, NSF 372
- Commonwealth of MA

SHV-R



SHV-R shown  
with mudguard removed



**IMPORTANT:**  
 MUDGUARD MUST BE INSTALLED ACCORDING TO TRIM STYLE.  
 FOR ROUND TRIM USE ROUND MUDGUARD.  
 FOR SQUARE TRIM USE SQUARE MUDGUARD.  
 CUT TABS AS CLOSE TO EACH MUDGUARD SIDE AS POSSIBLE