

719 Showerhead

Model #: B719-

FEATURES:

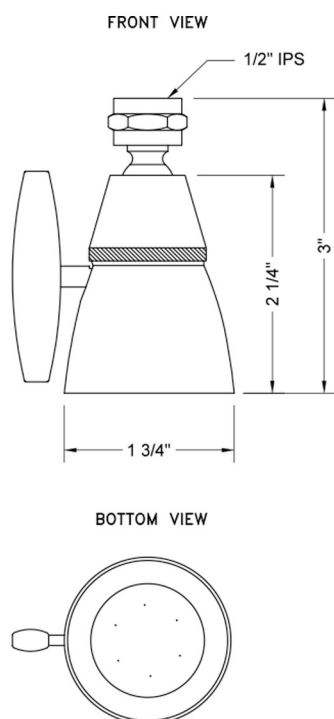
- 2 function showerhead with 1 3/4" face
- 1/2" IPS adjustable brass ball joint to adjust angle of showerhead
- Brass body & faceplate
- Available flow rates: 2.5, 2.0, 1.75 & 1.5 GPM



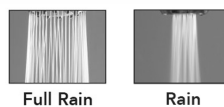
AVAILABLE FINISHES:

N/A

SPECIFICATION DRAWING:



SPRAY PATTERNS:



COMPLIANCES:

Complies with: ASME A112.18.1-2012/CSA B125.1-12