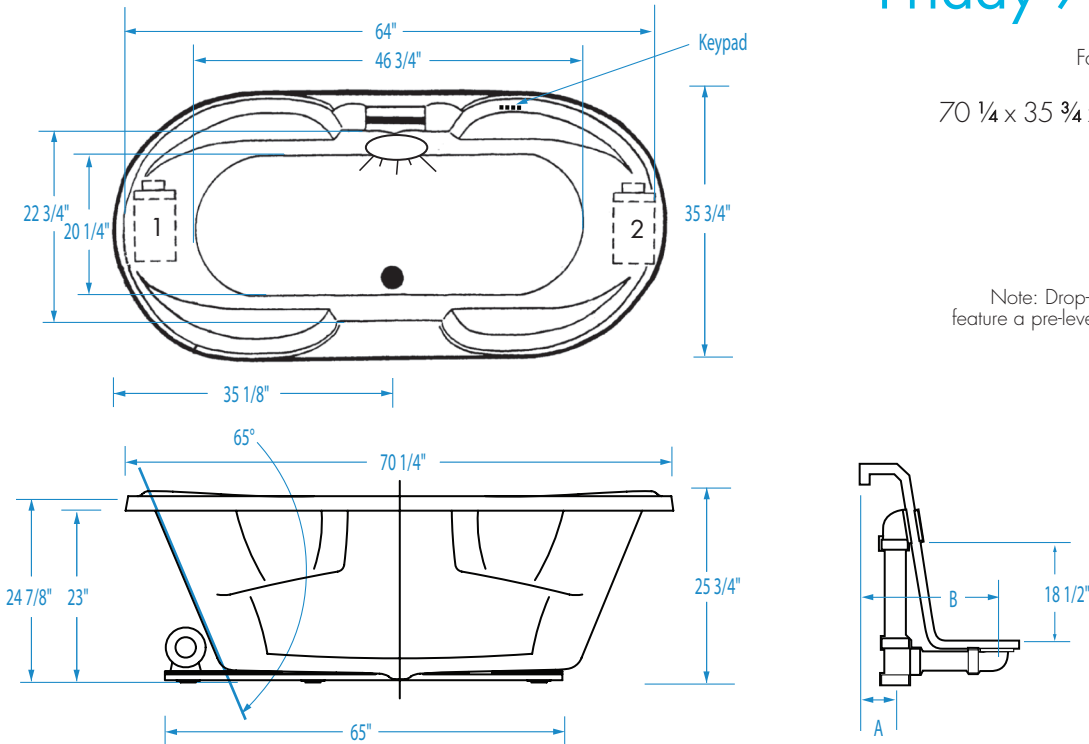


Friday 7036C

Formerly Serenity 16

70 ¼ x 35 ¾ x 25 ¾ inches

Note: Drop-in Serenity models feature a pre-leveled support base.



FEATURES Dimensional Tolerance ± 3/8". Dimensions needed for site preparation should be measured from the unit. Manufacturer assumes no responsibility for preparatory work.

Type and Model #	Material	System	Powered By	Heater	Controls	Drain	Pkg. Wt. lbs
Soaker #W16AIR7036TO	Cast Acrylic	-	-	-	-	Center Front	171
HotSoak #W16AIR7036HS	Cast Acrylic	Water circulation	Pump	1.5 kW Inline maintenance	Electronic	Center Front	201
Air Bath #W16AIR7036	Cast Acrylic	Air injection	Variable speed blower	Integrated	Electronic	Center Front	201

DIMENSIONS inches

Width Inches	Depth Inches	Height Inches	Skirt Height
70 ¼	35 ¾	25 ¾ / 23	-

SUMP DATA inches

Capacity to Overflow gal	Min. Operating Capacity gal	WIDTH @ centerline		DEPTH @ centerline	
		Top	Bottom	Top	Bottom
80	-	64	46 ¾	22 ¾	20 ¼

PLUMBING DIMENSIONS inches

A	B	Drain Diameter / Clearance
4 ¾	12	2 / 1 ¾

ELECTRICAL DATA

Component	Specification	Requirement
Heated Blower (Air Bath)	10.5 AMP; 120V	15 AMP; 120V, separate circuit; Class A GFCI
Pump (HotSoak)	1/15 HP; 1.3 AMP; 120V	20 AMP; 120V, separate circuit; Class A GFCI
Heater (HotSoak)	1.5 kW; 12 AMP; 120V	

NOTES:

- 1) Where applicable, utilize cut-out templates packed with unit for deck cutouts.
- 2) 16 x 16 minimum access required at pump/blower location(s).
- 3) If a (3T) tiling flange is selected, then the keypad is located opposite of the flange.

Each Serenity air bath is equipped with an air heating system to raise the temperature of the air entering the bath. This air temperature will be lower than the bathing temperature of the water, but will help reduce rapid decrease in water temperature. In addition, the air coming from the air jets will feel cool against the skin. This system does not heat the water.