

MT21-6/8/12

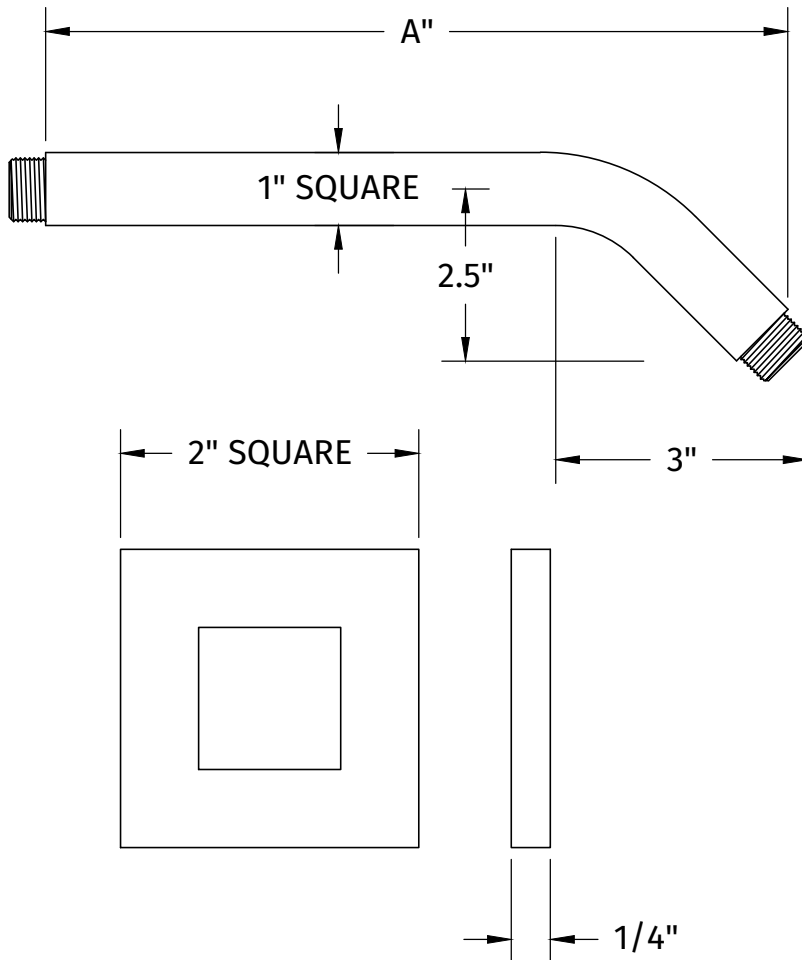
MOUNTAIN RE-VIVE™ SQUARE SHOWER ARM WITH 45° BEND

Finish-
* Polished Chrome

SPECIFICATION SHEET



A McAlpine Company
Mountain
Plumbing Products



- SOLID BRASS CONSTRUCTION
- INCLUDES DECORATIVE BRASS ESCUTCHEON
- 1/2 NPT
- (MT21-12 SHOWN)

MODEL NUMBER DIM A

- MT21-6: 6"
- **MT21-8: 8"**
- MT21-12: 12"

WARRANTY

FOR WARRANTY INFO PLEASE VISIT WWW.MOUNTAINPLUMBING.COM/PAGE/RESOURCES/WARRANTY

FINISH CARE & MAINTENANCE

NEVER USE ANY HARSH ALKALI, ACID BASED DETERGENTS OR CLEANERS SUCH AS SOFT SCRUB®, SCRUBBING BUBBLES® OR COMET® TO CLEAN. DO NOT USE BRILLO® AND SCOTCH BRITE® PADS. THESE WILL ALL HARM THE FINISH. TO CLEAN, USE ONLY A DAMP SOFT CLOTH AND WIPE USING A SOFT CLOTH. STANDARD WINDEX® CAN ALSO BE USED SPARINGLY. IT IS NOT NECESSARY TO WIPE HARD TO REMOVE SPOTS. TO MAINTAIN THE FINISH, WIPE WITH A SOFT DRY CLOTH AFTER USE. AN OCCASIONAL COAT OF PURE CARNAUBA WAX WITHOUT CLEANERS WILL HELP PROTECT THE FINISH.

SPECIFICATIONS SUBJECT TO CHANGE WITHOUT NOTICE