

61" PENNEY ACRYLIC OVAL TUB

Cat. No.
ATOVNTD61F



L: 60-³/₄"
W: 29-³/₈"
H: 22-¹/₄"

Water depth: 16-³/₄" to top of tub
Water depth: 12-¹/₄" to overflow

The following is recommended for ATOVNTD61F tubs:

- Faucets: part #4602,4022 or 4025
- Rigid, freestanding Supplies: part #4502
- Leg tub drain: part #5599LT or 5599TS



Overflow can be drilled.
With overflow drilled this tub requires drain 5599PD.
Tubs that have been drilled with overflow are "special order" and are not returnable.

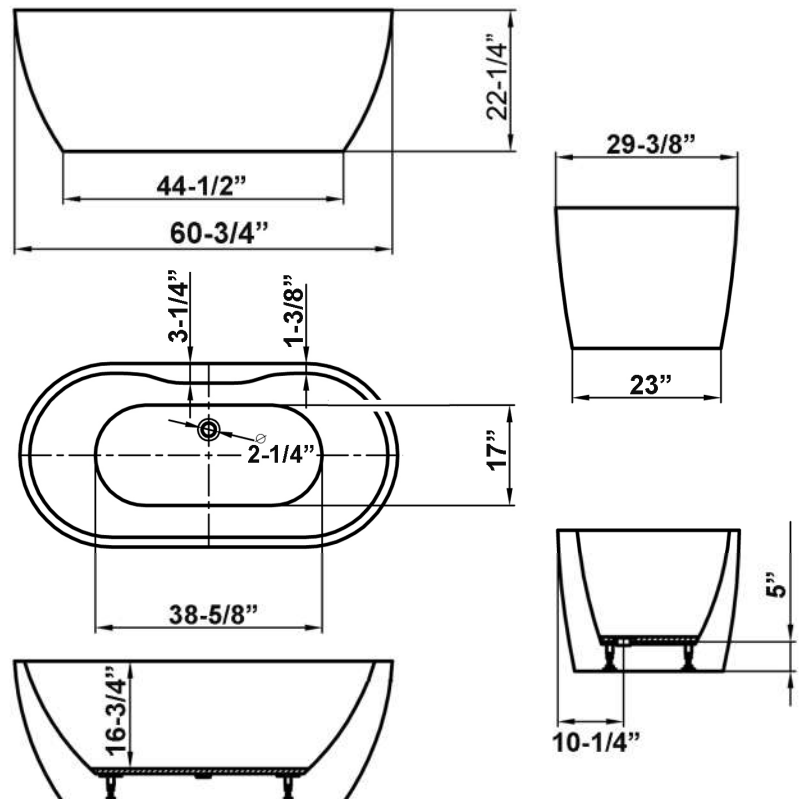
Gallon Capacity without OF:	45
Gallon Capacity with OF:	35
Shipping Weight:	285 lbs.
Empty Weight:	85 lbs.
Filled Weight without OF:	461 lbs.
Filled Weight with OF:	378 lbs.

Features:

- ▶ Acrylic construction for lighter weight
- ▶ Air between sheets provides insulation to help retain warmth
- ▶ No overflow
- ▶ 3-¹/₄" Tap deck
- ▶ IAPMO certified
- ▶ Option to add foam insulation between tub walls available
- ▶ For use with a faucet mounted on tub deck
- ▶ Requires flexible supplies



Custom Colors Available (inside of tub is always white enamel):
Painted bathtubs are considered "special order" and are not returnable
\$160 Bisque or Black \$250 Designer Color



Dimensions of fixture are nominal and specifications subject to change without notice.