

# JASON<sup>®</sup>

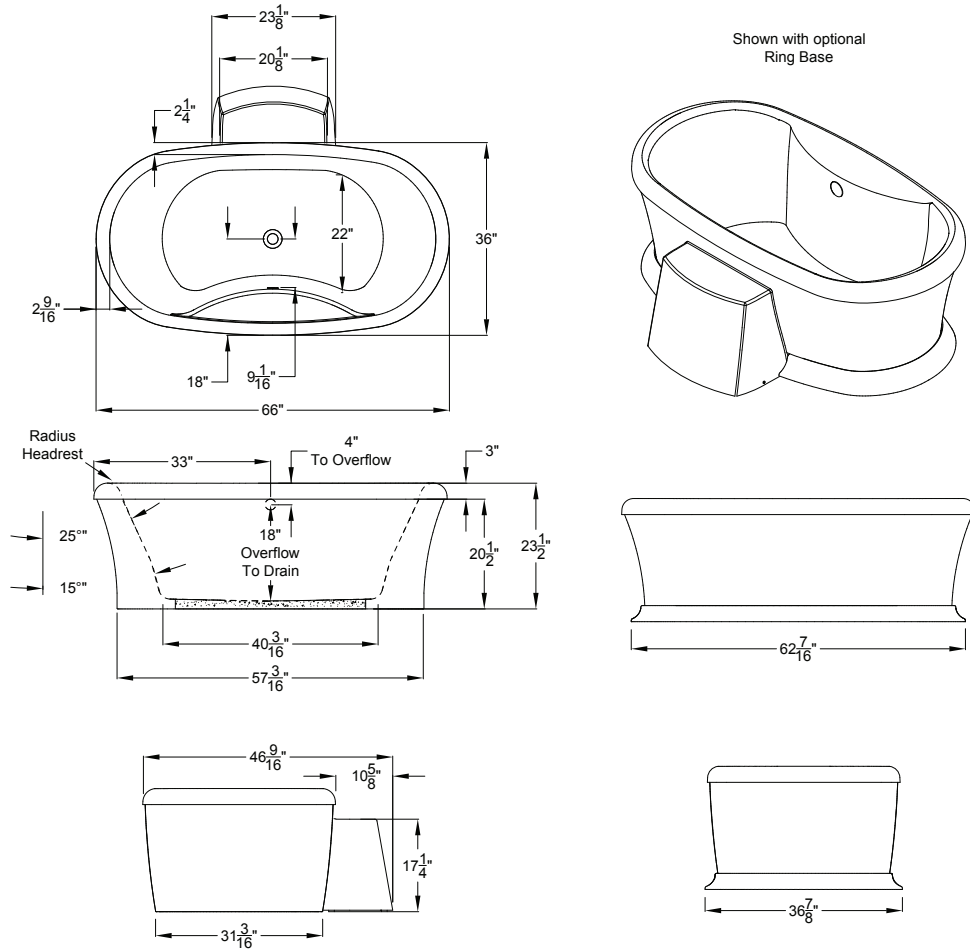
HYDROTHERAPY

8328 MacArthur Dr. • North Little Rock, AR 72118  
 501.771.4477 • Fax: 501.771.2333  
 Customer Service: 800.255.5766  
 www.jasoninternational.com

## Designer Collection Specifications

### AS553P

#### MicroSilk<sup>®</sup>



Shown with optional Ring Base

Patents received or pending.




Note: Dimensional Tolerances: ±1/4"

- Drop-in-Hole Size:** N/A
- Operating Capacity:** 42 Gal.
- Overflow Capacity:** 70 Gal.
- Floor Loading / sq.ft.:** 56.5 lbs.
- Carton Weight:** 178 lbs.
- Cube:** 36.6 ft.<sup>3</sup>

Note: Acrylic Equipment Cabinet is standard and required on MicroSilk<sup>®</sup> baths.

**Construction:** Fiberglass reinforced acrylic bath with Level Form<sup>™</sup> full-support base.

*We provide products listed with Intertek ETL SEMKO (Edison Testing Laboratories) U.S. and Canadian and with International Association of Plumbing and Mechanical Officials (IAPMO). Consult factory with your listing requirements.*

<b>Standard</b>	 <p>A 120V system that includes a MicroSilk unit; an electronic control; and a 20-minute timer.</p>
<b>Premier</b>	 <p>A 120V system that includes a MicroSilk unit; (2) Chromatherapy mood lights, Automatic Ozone System; an electronic control; and a 20-minute timer. The keypad also operates the LED Chromatherapy mood lights.</p>
<b>Signature</b>	 <p>A 120V system that includes a MicroSilk unit, (2) Chromatherapy mood lights; Automatic Ozone System; a digital control with LCD display window; low water and water temperature sensors; and a 20-minute timer. Control keypad operates the MicroSilk<sup>®</sup> unit, LED Chromatherapy mood lights and shows water temperature and time remaining. Includes Bluetooth Sound Immersion.</p>