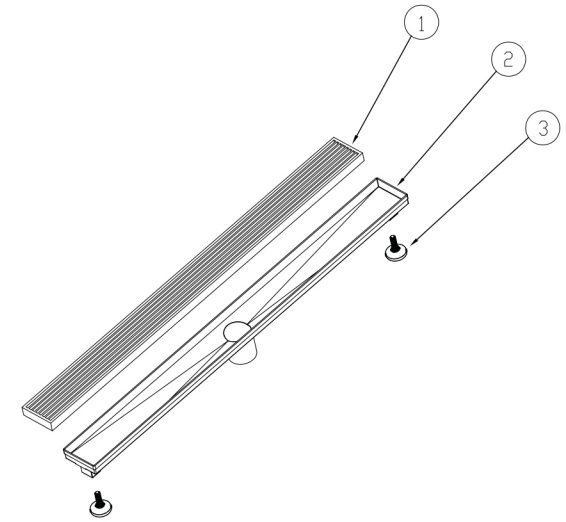
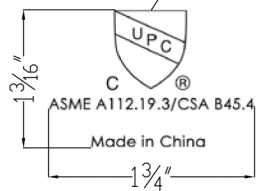


SECTION A-A



| NO | DESCRIPTION | QTY | MATERIAL | SIZE |
|----|--------------------|-----|--------------------|------------------------|
| 1 | Linear drain cover | 1 | SUS304 | 3 1/4" X 2 3/4" X 3/4" |
| 2 | Linear drain stand | 1 | SUS304 | 32" X 3" X 3/8" (18G) |
| 3 | mounting brackets | 2 | composite material | Ø 1 7/16" X 1 1/16" |