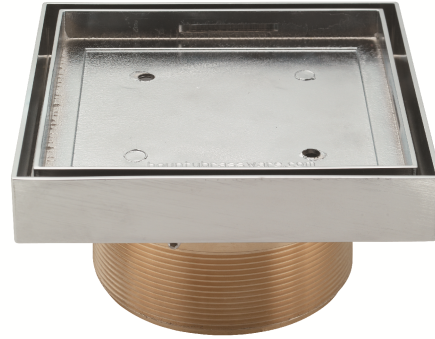




**Features**

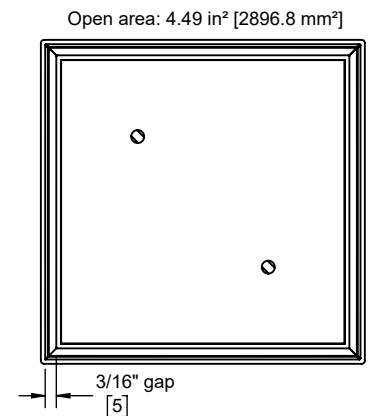
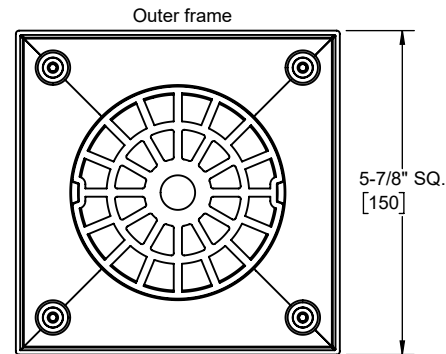
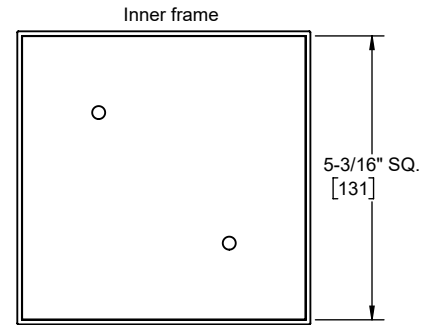
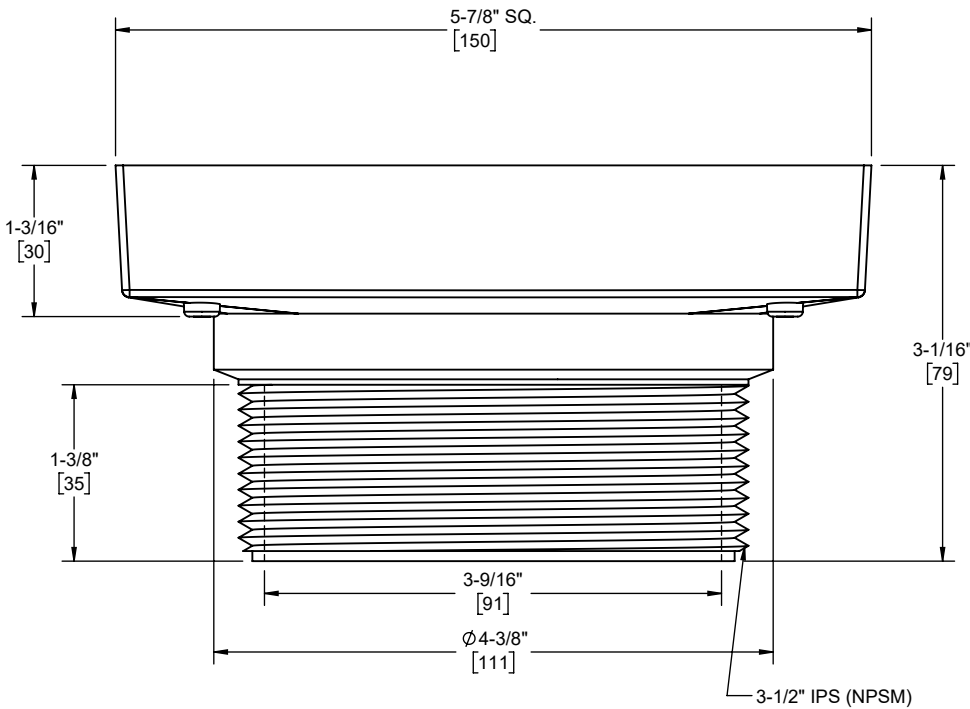
- Create "invisible drain" by allowing inlay of tile/stone to drain cover
- Available in 5 finishes, including 4 PVD finishes
- All brass decorative frame with no visible screws
- Frame surface is foot friendly with no sharp edges
- Rigid frame construction - will not dish or bend
- Square frame design for easy floor design and installation
- Outlet flow rate 10 gpm (38 Lpm) with 1/4" head of water
- Includes removable debris strainer with inner frame removal tool
- Compatible with all CF 9190 products as well as Zurn Z415 series drain bodies



**Codes/Standards Applicable**

Product meets or exceeds the following:

- ASME A112.18.2/CSA B125.2
- US PAT NO. 8833387



Dimensions are inches, rounded to 1/16"  
[Dimensions in brackets are mm, rounded to 1mm]