



Features

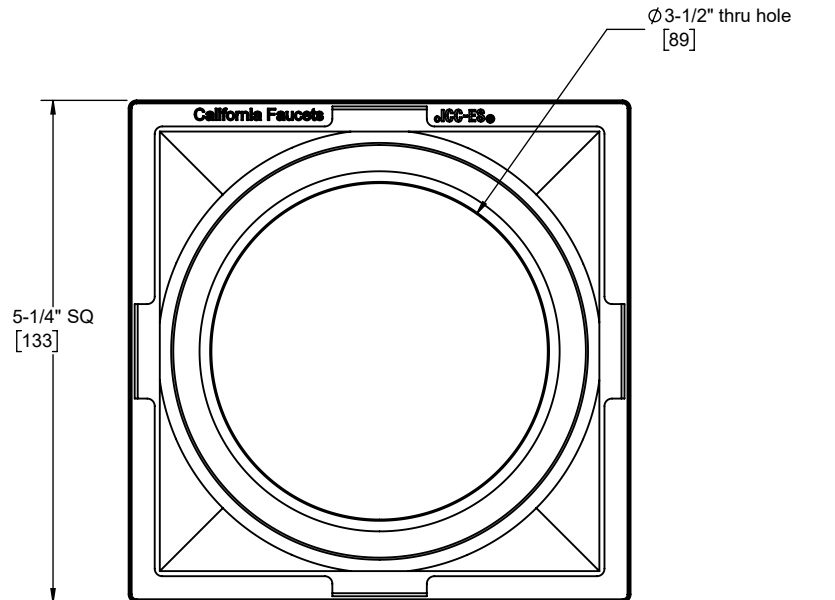
- Square grid allows for easy floor covering design and installation
- Brass throat with stainless steel tile frame, screws & mudguard
- Compatible with all StyleDrain bodies (9179, 9179-3, 9179-IP-2/3, 9179-ABS or 9179-PVC), sold separately
- Compatible with Zurn ZU415 series drain bodies
- Compatible with all StyleDrain Grids except Tile StyleDrain, sold separately
- Hair strainer and key included



Codes/Standards Applicable

Product meets or exceeds the following:

- ASME A112.18.2/CSA B125.2
- US PAT NO. 8043497



(shown without mud guard)

