



California Faucets®

StyleDrain®

Throat & Tile Frame

9178-UG-2

Features

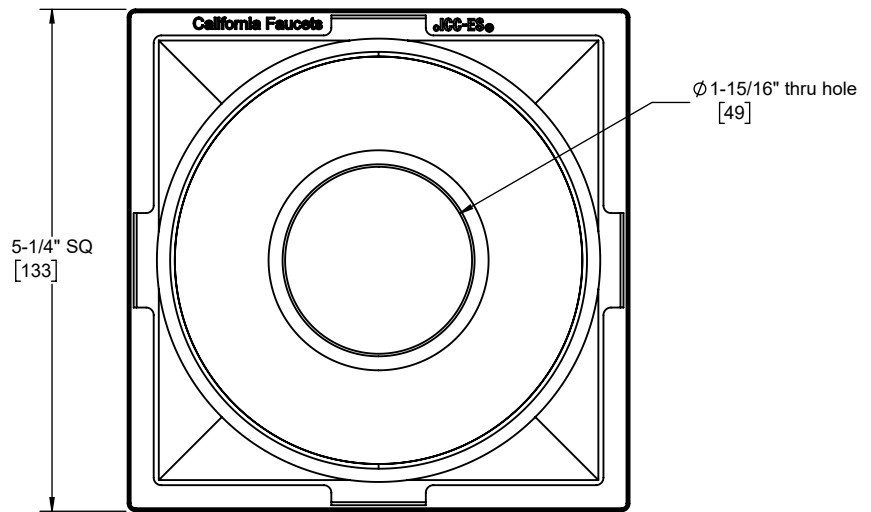
- Square grid allows for easy floor covering design and installation
- ABS throat with stainless steel tile frame, screws & mudguard
- Allows for upgrade of common shower drains with 2" IPS collar (Oatey, Jones-Stephens, AB&B, etc.)
- Compatible with all StyleDrain Grids except Tile StyleDrain, sold separately
- Hair strainer and key included



Codes/Standards Applicable

Product meets or exceeds the following:

- ASME A112.18.2/CSA B125.2
- US PAT NO. 8043497



(shown without mud guard)

