

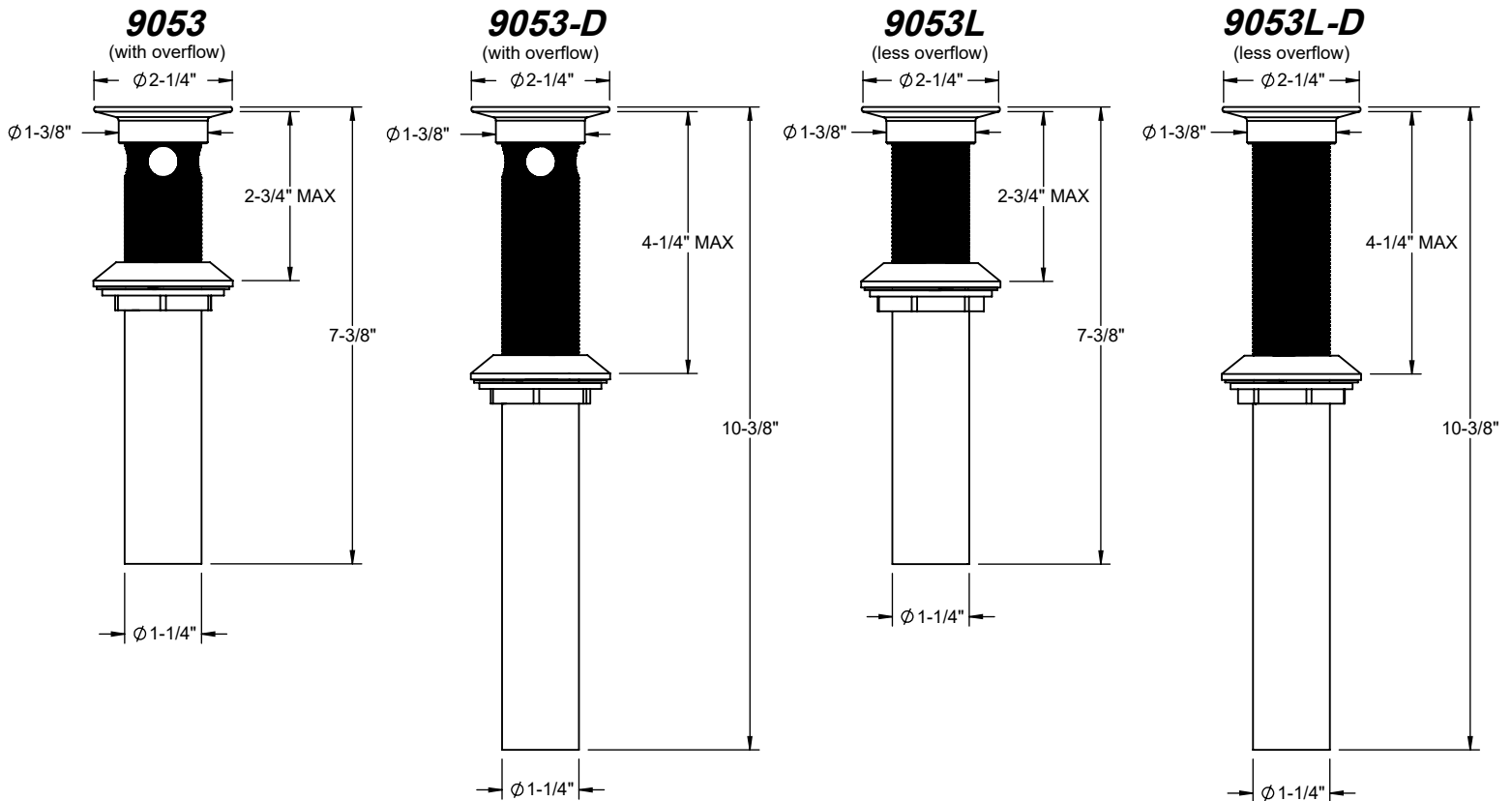
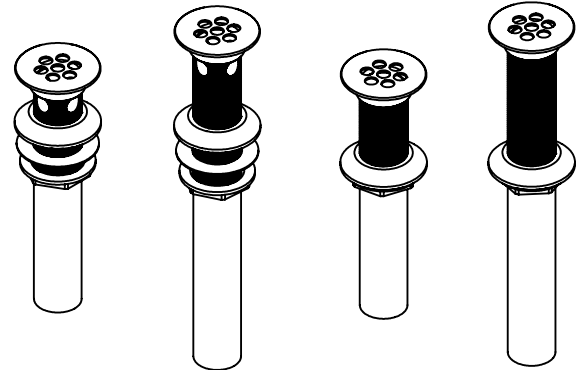


### Features

- Over 25 finishes including 10+ PVD finishes
- Brass construction
- Strainer has large openings for quicker draining
- Fits 1-1/2" sink drain hole
- Available with or without overflow

### Codes/Standards Applicable

- Specified model meets or exceeds the following:
- ASME A112.18.2-2005/CSA B125.2-05



Dimensions Shown to Nearest 1/16"