



Features

- 25+ artisan finishes including 10+ PVD finishes
- All brass construction
- All mounting hardware included

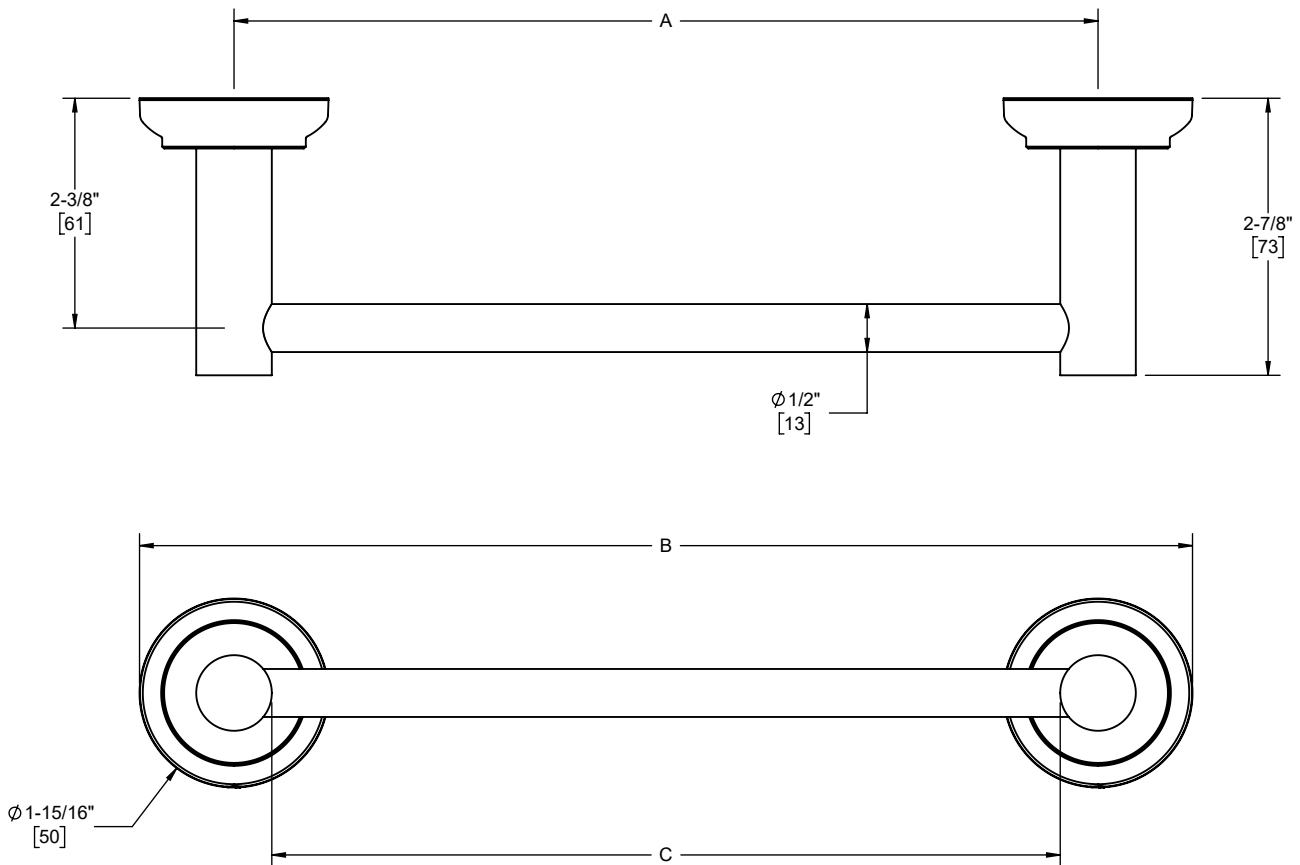
87-9
87-18
87-24
87-30



Codes/Standards

Product meets or exceeds the following:

- None applicable



SKU	A	B	C
87-9	9" [229]	10 $\frac{15}{16}$ " [279]	8 $\frac{3}{16}$ " [209]
87-18	18" [457]	19 $\frac{15}{16}$ " [507]	17 $\frac{3}{16}$ " [437]
87-24	24" [610]	26" [660]	23 $\frac{3}{16}$ " [589]
87-30	30" [762]	31 $\frac{15}{16}$ " [812]	29 $\frac{3}{16}$ " [741]

	(4X) 8 X 1-1/2" PHILLIPS HEAD SCREW
	(4X) 1 X 3/8" WALL ANCHOR

Dimensions are inches, rounded to 1/16"
[Dimensions in brackets are mm, rounded to 1mm]

Specifications subject to change without notice