

MCWAY FREESTANDING THERMOSTATIC TUB FILLER

Cat. No.
7956



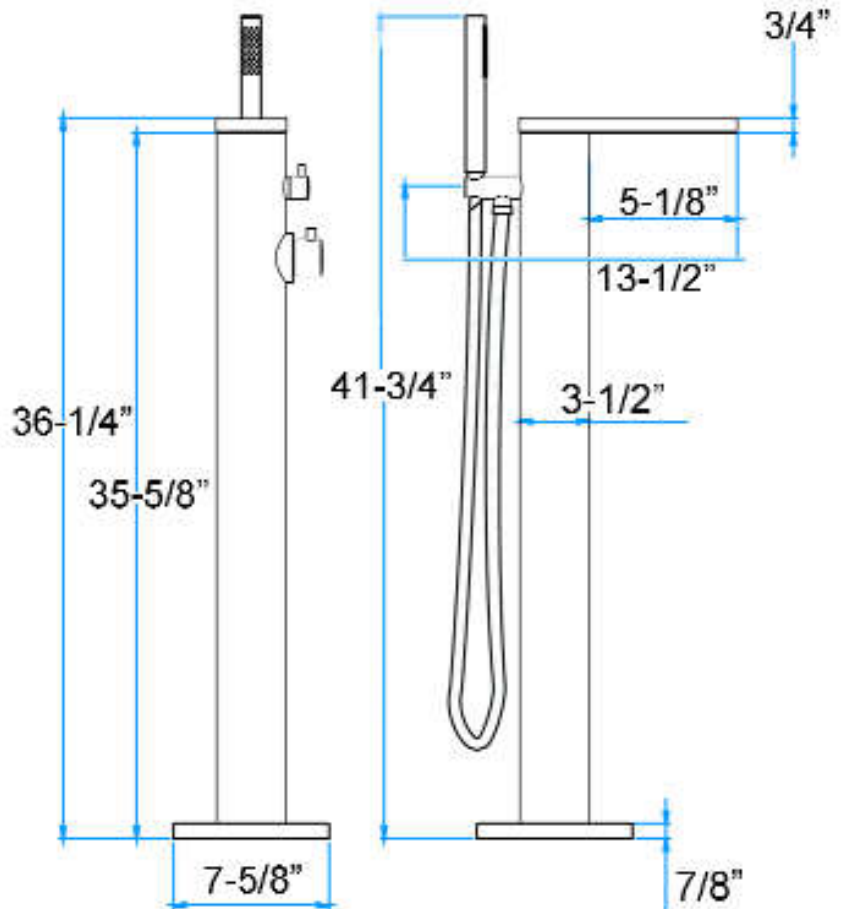
Features:

- ▶ Spout reach is 5-1/8"
- ▶ Flow rate 5.82 GPM (80 PSI)
- ▶ Thermostatic Temperature Control within
- ▶ Push button diverter
- ▶ 1/2 NPSM Water connection
- ▶ Single lever control
- ▶ Flow rate handshower 2.5 GPM. Optional regulator in parts bag reduces flow rate to 2.0 GPM for CA requirements.
- ▶ Available in 2 finishes

Finishes:

- SP** Polished Stainless
- SB** Brushed Stainless

D: 5-1/8"
W: 7-5/8"
H: 41-3/4"



Dimensions are nominal and may vary. Dimensions and specifications subject to change without notice.