

# DOLAN FREESTANDING TUB FILLER

Cat. No.  
7922



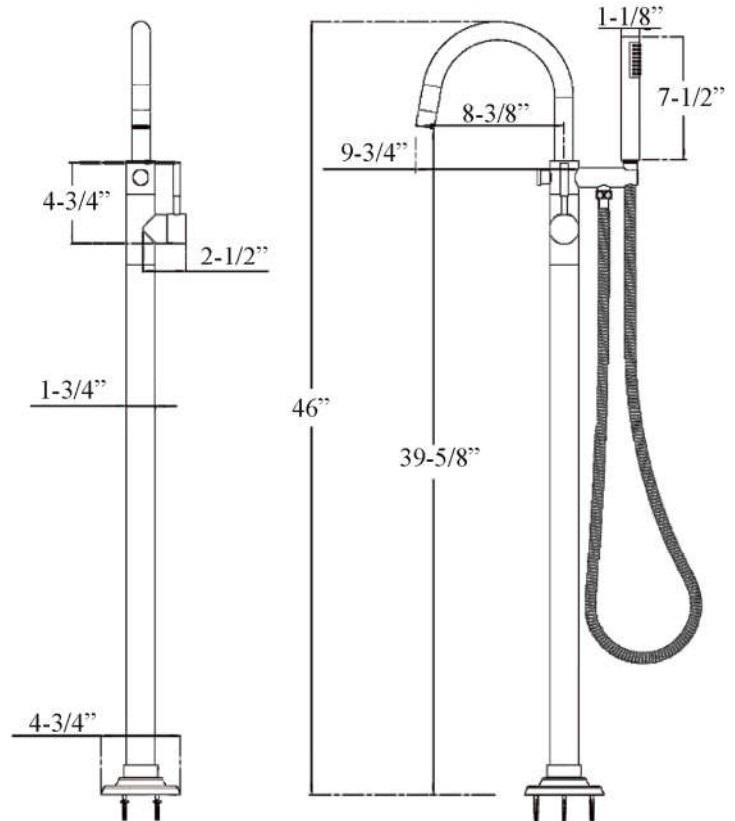
W: 4-<sup>3</sup>/<sub>4</sub>"  
H: 46"

## Features:

- ▶ Solid brass construction
- ▶ Spout reach is 8-<sup>3</sup>/<sub>8</sub>"
- ▶ Gooseneck spout
- ▶ 1/2" NPT connection under floor
- ▶ Includes 60" hose
- ▶ Handshower is 7-<sup>1</sup>/<sub>4</sub>" long
- ▶ Flow rate 5.92 GPM @ 80 psi
- ▶ Flow rate handshower 1.6 GPM
- ▶ Mounting plate mounts to wood or tile floor

## Finishes:

- CP** Polished Chrome
- BN** Brushed Nickel
- ORB** Oil Rubbed Bronze



**Use on concrete floors requires special installation. We recommend using a plumbing professional.**

Dimensions are nominal and may vary. Dimensions and specifications subject to change without notice.