

**Finoris**  
**Single-Hole Faucet 260, 1.2 GPM**  
 Finish: **chrome** Part no. : **76070001**



**Description**

**Features**

- Handle variant: Lever
- Spray modes: Laminar spray
- Flow: 1.2 GPM (4.5 L/Min)
- Ceramic cartridge
- Does not include: Pop-up assembly

**Item details**

List Price \$ 762.00

**Technology**



**Design awards**



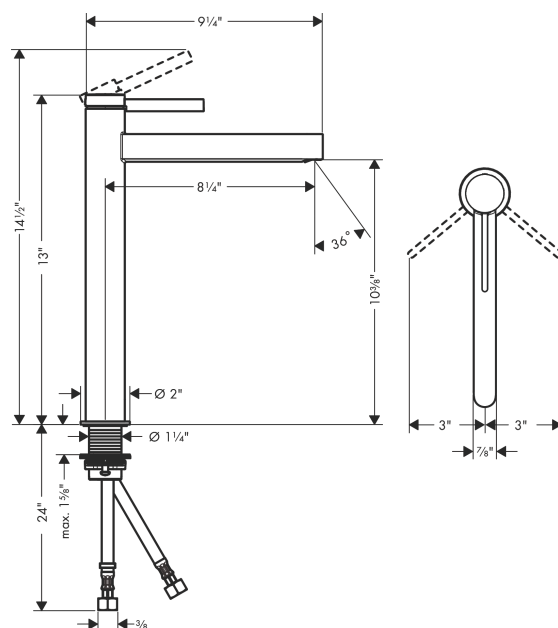
**Compliance / Sustainability**



**Product image**



**Scale drawing**

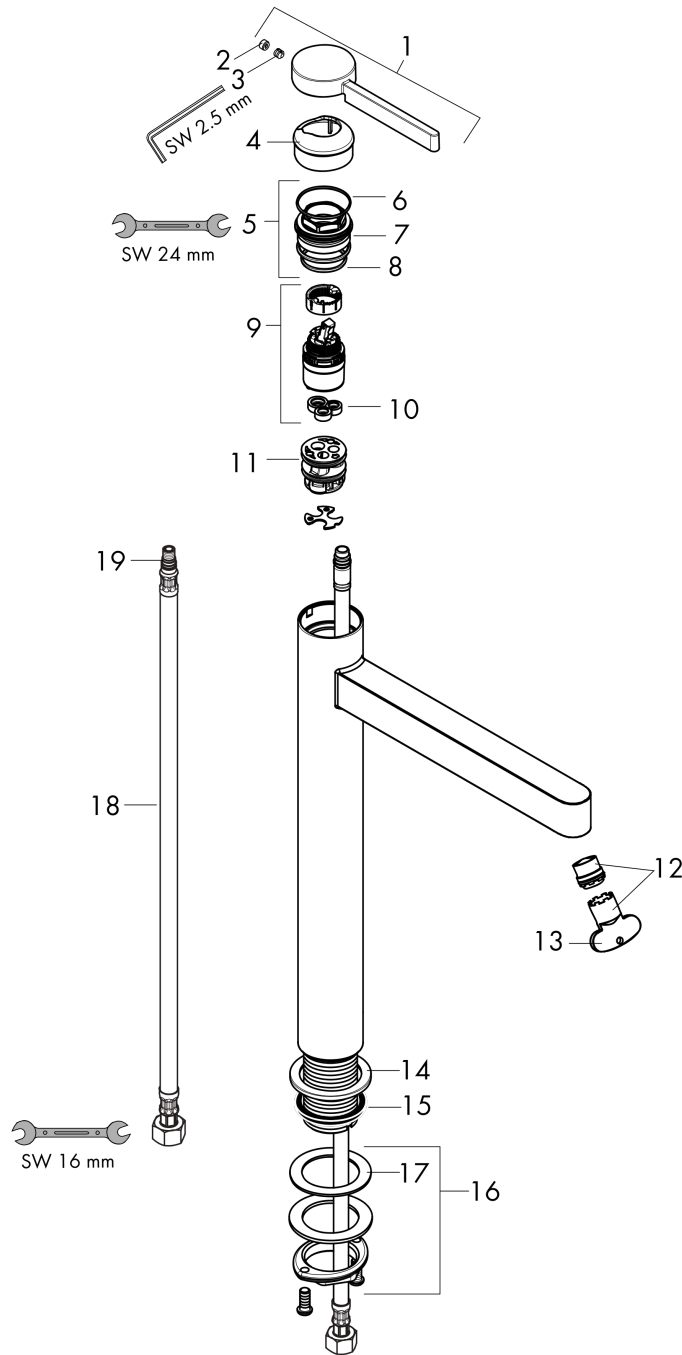


**Finoris**  
**Single-Hole Faucet 260, 1.2 GPM**  
 Finish: **chrome** Part no. : **76070001**



Exploded drawing

Year of production: >11/21



**Finoris**  
**Single-Hole Faucet 260, 1.2 GPM**  
 Finish: **chrome** Part no. : **76070001**



## Spare parts list

Year of production: >11/21

Pos.	Description	Part no.	Price	PU
1	handle	94266000	-	1
2	screw cover	93735460	-	1
3	hollow set screw M5x5	98446000	-	1
4	flange	93737000	-	1
5	nut	92926000	-	1
6	O-ring 30x1,5	98433000	-	1
7	O-ring 29x2	98391000	-	1
8	O-ring 25x1,5	98146000	-	1
9	cartridge, assy	93760000	-	1
10	seal	93383000	-	1
11	adapter for cartridge	98866000	-	1
12	spray former	93973000	-	1
13	special tool	98987000	-	1
14	escutcheon	94265000	-	1
15	flat seal	98749000	-	1
16	fixing set (Ø 32)	13961000	-	1
17	lever collar	97548000	-	1
18	connection hose 35½" M8x0,75 3/8"	94267001	-	1
19	O-ring 6,6x1,6	93019000	-	1