

**Talis S**  
**Wall-Mounted Single-Handle Faucet Trim, 1.2 GPM**  
 Finish: **chrome** Part no. : **72111001**



**Description**

**Features**

- Handle variant: Lever
- Spray modes: normal spray
- Flow: 1.2 GPM (4.5 L/Min)
- Ceramic cartridge
- EPD Basin Faucets

**Item details**

List Price \$ 455.00

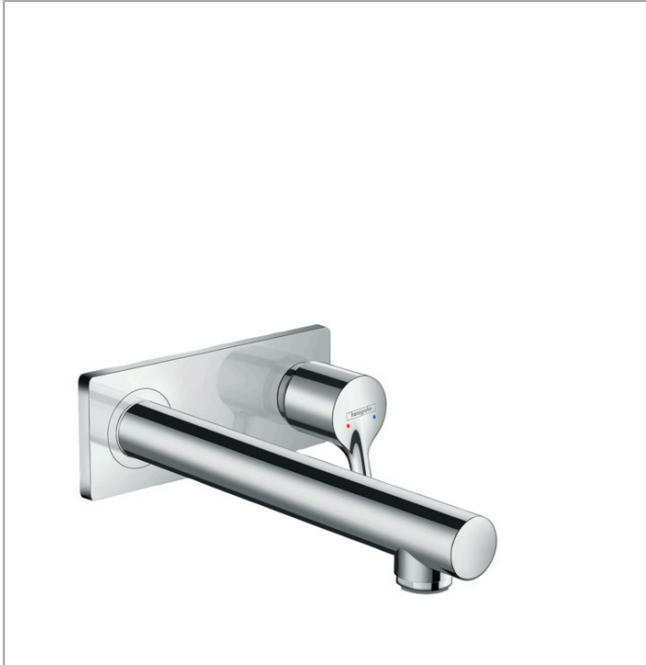
**Technology**



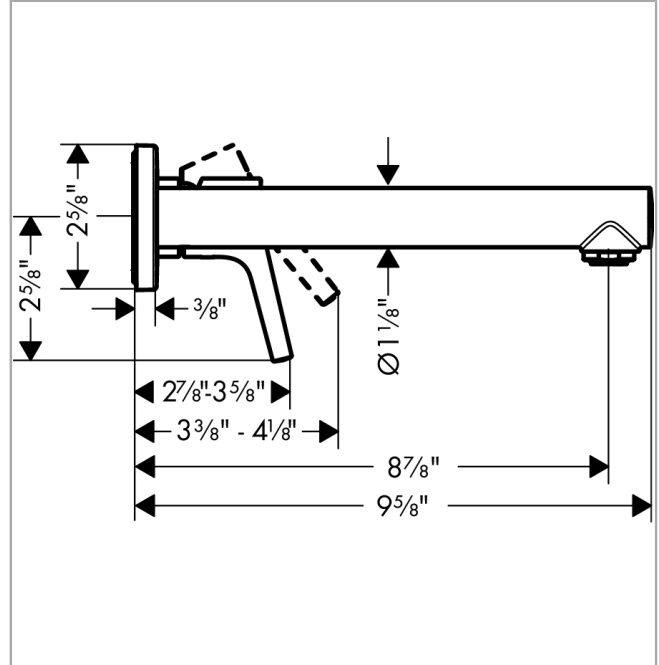
**Compliance / Sustainability**



**Product image**



**Scale drawing**

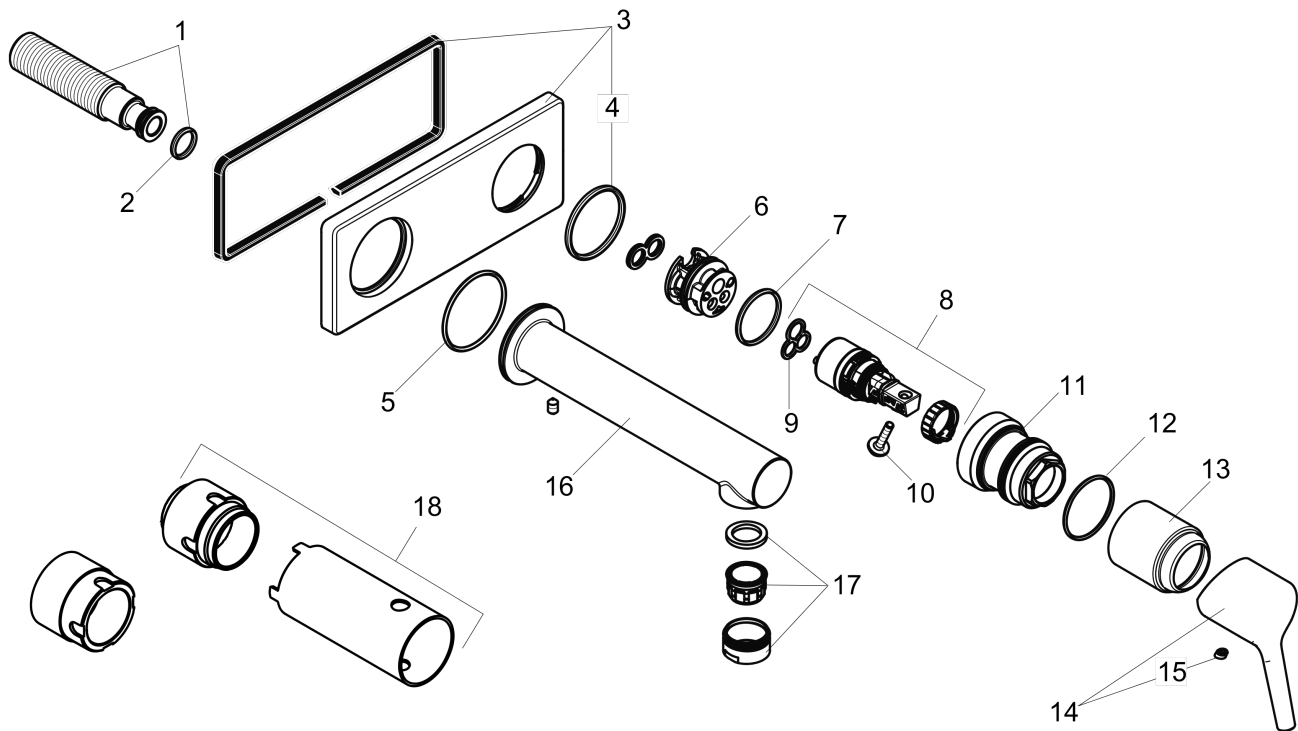


**Talis S**  
**Wall-Mounted Single-Handle Faucet Trim, 1.2 GPM**  
 Finish: **chrome** Part no. : **72111001**



Exploded drawing

Year of production: >09/16



**Talis S**  
**Wall-Mounted Single-Handle Faucet Trim, 1.2 GPM**  
 Finish: **chrome** Part no. : **72111001**



## Spare parts list

Year of production: >09/16

Pos.	Description	Part no.	Price	PU
1	connecting thread G½	95626000	-	1
2	O-ring 13x2	98128000	-	1
3	escutcheon	92649000	-	1
4	O-Ring 36x2,5	98190000	-	1
5	O-ring 39x2	98158000	-	1
6	adapter for cartridge	95634000	-	1
7	O-ring 26x2	98147000	-	1
8	cartridge, assy	97685000	-	1
9	seal	98865000	-	1
10	locking screw for handle	95140000	-	1
11	nut	92658000	-	1
12	O-ring 33x1,5	98164000	-	1
13	flange	92657000	-	1
14	handle	92648000	-	1
15	screw cover	96338000	-	1
16	spout 225 mm	92656000	-	1
17	aerator M24x1 (4,5 l/min)	92812000	-	1
18	extension set 25 mm for 13622180	31971000	-	1
a	adapter for exchanged connections	93819000	-	1