

Talis E
4-Hole Roman Tub Set Trim with 1.8 GPM Handshower
 Finish: **chrome** Part no. : **71744001**



Description

Features

- Flow: 5.60 GPM (21.2 L/Min)
- Flow rate of hand shower at 3 bar: 1.8 GPM (6.8 L/Min)
- Ceramic valves hot/cold 90°
- Integrated double backflow prevention
- Installation on bath rim
- EPD Shower and Bath Faucets

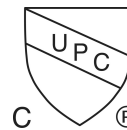
Item details

List Price \$ 621.00

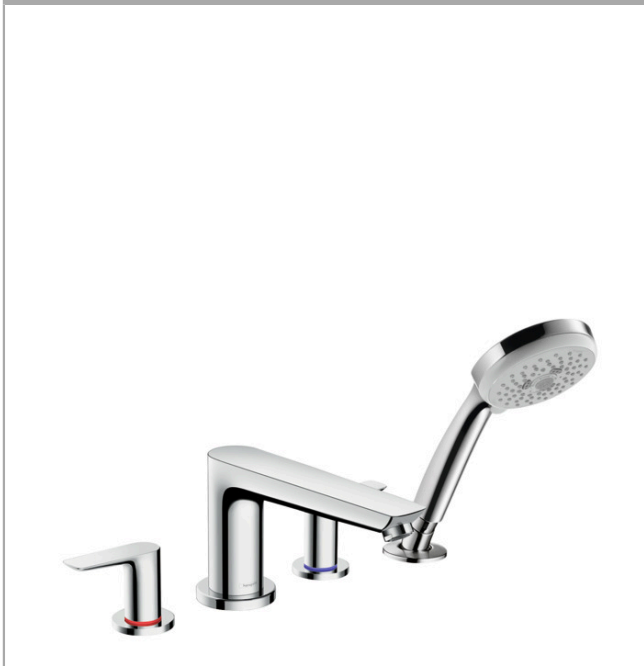
Technology



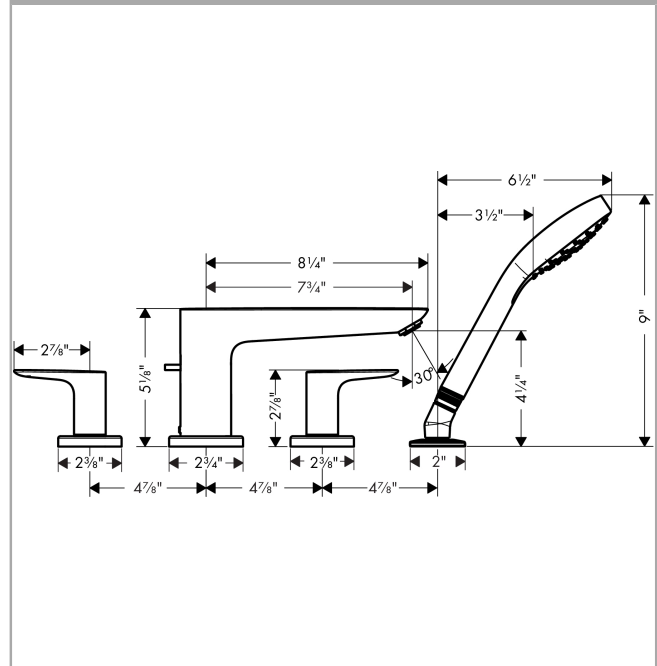
Compliance / Sustainability



Product image



Scale drawing

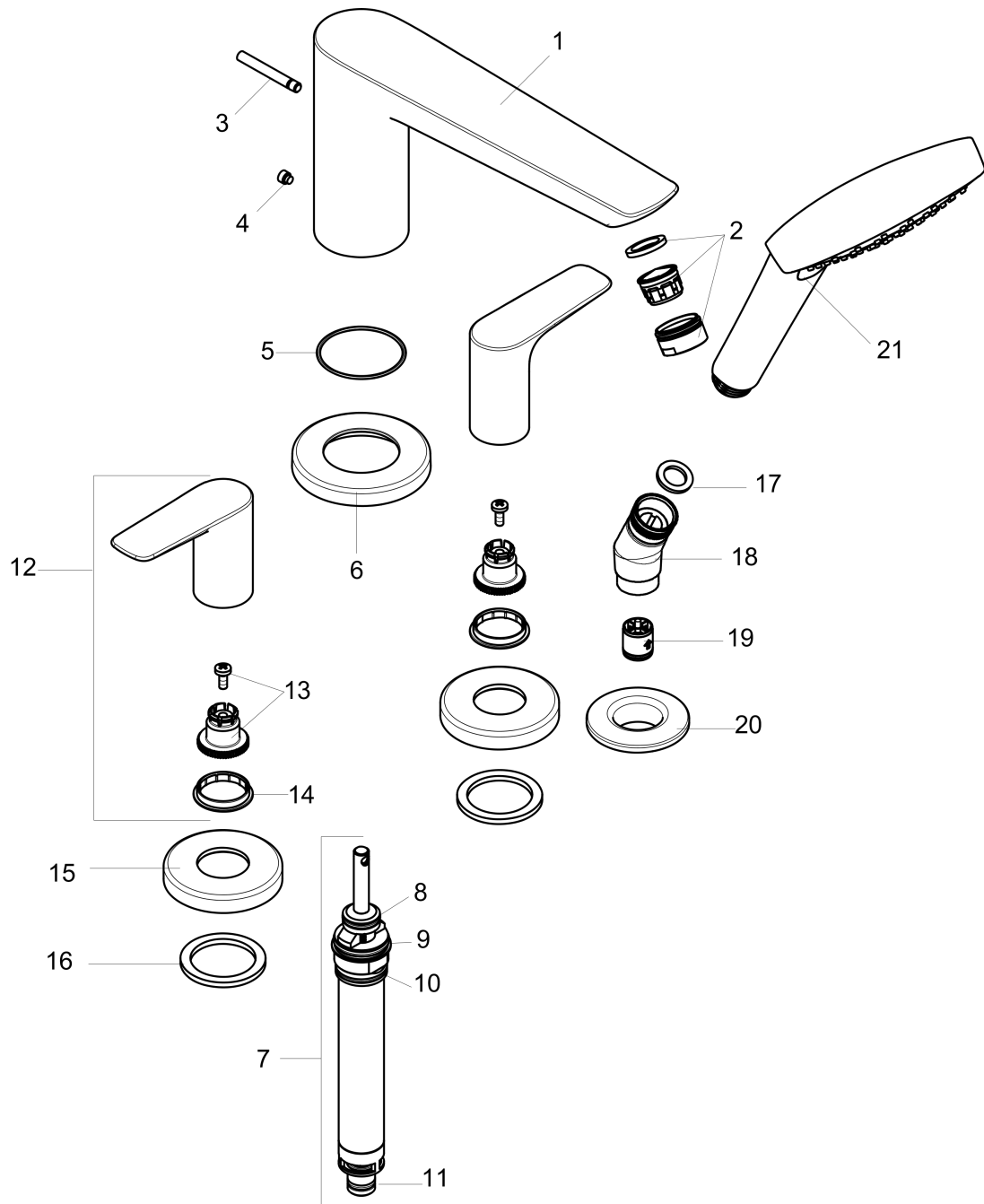


Talis E
4-Hole Roman Tub Set Trim with 1.8 GPM Handshower
 Finish: **chrome** Part no. : **71744001**



Exploded drawing

Year of production: >07/18



Talis E
4-Hole Roman Tub Set Trim with 1.8 GPM Handshower
 Finish: **chrome** Part no. : **71744001**



Spare parts list

Year of production: >07/18

Pos.	Description	Part no.	Price	PU
1	spout cpl.	92780000	-	1
2	aerator M24x1 (30 l/min)	96512000	-	1
3	diverter knob	98707000	-	1
4	hollow set screw M6x6	97660000	-	1
5	O-ring 41x1,5	98168000	-	1
6	escutcheon Ø 70 mm	97779000	-	1
7	selector assy	96775000	-	1
8	O-Ring 14x2,5	98189000	-	1
9	O-Ring 23x2,5	98183000	-	1
10	O-Ring 22x2	98185000	-	1
11	O-ring 9x2,5	98217000	-	1
12	handle	92779000	-	1
13	handle fixing set	94184000	-	1
14	set of color-rings cold / hot water	95819000	-	1
15	escutcheon	31098000	-	1
16	flat seal	98749000	-	1
17	filter packing	94246000	-	1
18	shower holder	28071000	-	1
19	set of non return valves DW 15	94074000	-	1
20	escutcheon Ø 52 mm	97159820	-	1
21	handshower	04752000	-	1
a	O-ring 58x3	98202000	-	1