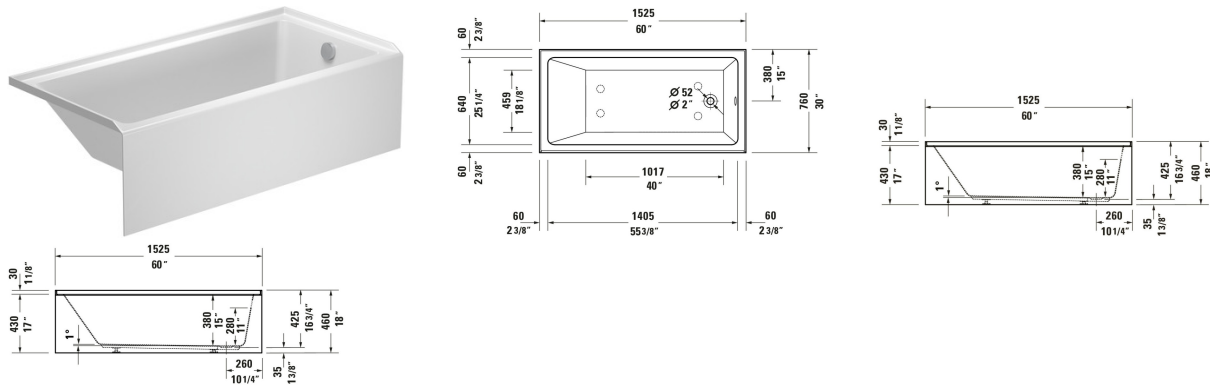


Duravit No.1 alcove tub # 70065300000090

|< 60 " >|



alcove tub	Dimension	Weight	Order number
Installation Type: Alcove, Integrated acrylic panel front, White, Material: Sanitary acrylic, Number of backrests: 1 Left, Includes support frame, Overflow: Yes, Drain orientation: Right, Overflow position: Foot end, Capacity gal: 48 gal, Internal Depth: 16 1/8 ", Packaging type: Single-packed			
Colors			
00 White			
Variant			
Seamless acrylic panel, ADA: Yes, cUPC listed: Yes	60 "x18 1/8 "	70.548 lb	70065300000090
Suitable products			
Waste and overflow Bowden cable length: 22 1/8 ", 28 3/4 x 3 1/2 "	28 3/4 x 3 1/2 "		792824
Waste and overflow Bowden cable length: 21 ", 18 7/8 x 3/8 "	18 7/8 x 3/8 "		792820
Waste and overflow ADA: Yes, 42 1/2 x 3 1/2 "	42 1/2 x 3 1/2 "		792828
Waste and overflow ADA: Yes, 4 3/8 x 4 3/8 "	4 3/8 x 4 3/8 "		792829
Mounting Bracket Mounting kit , 28 x 3 "	28 x 3 "		790160
Bolt Cap , 15 3/4 x 3 1/8 "	15 3/4 x 3 1/8 "		791225
shower tray foot Matches series Architec, 2 1/8 x 2 1/8 "	2 1/8 x 2 1/8 "		790164

All drawings contain the necessary measurements which are subject to standard tolerances. They are stated in inch & mm and are non-binding. Exact measurements, in particular for customized installation scenarios, can only be taken from the finished ceramic piece.