

**CANIM
ABOVE COUNTER
MARBLE BASIN**

Cat. No
7-745



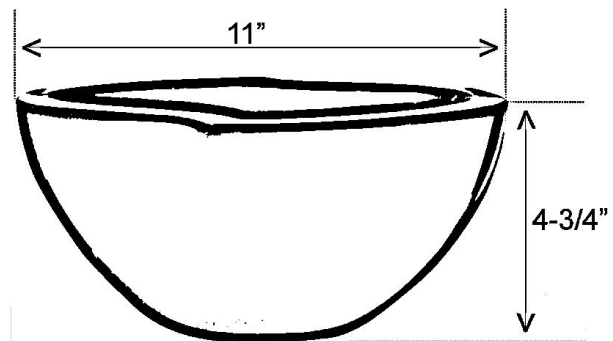
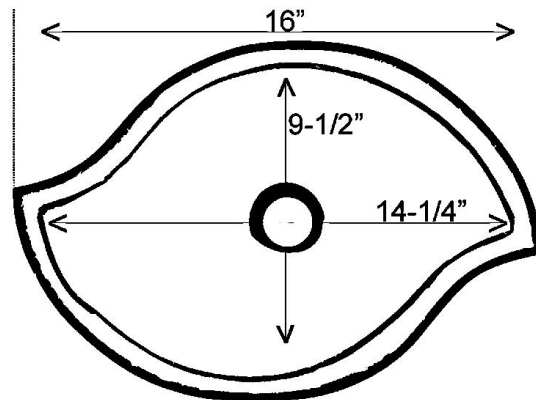
L: 16"
D: 11"
H: 4-3/4"

Features:

- ▶ Constructed of Marble
- ▶ Smooth surface
- ▶ No faucet hole
- ▶ No overflow
- ▶ Accommodates drain 1-1/2"
- ▶ For use with grid drain #5601 or umbrella drain #UD701 (NOT INCLUDED)

Finish

MPCA Polished Carrara Marble
MPCR Polished Egyptian Cream



Interior Dimensions

Basin interior: 14-1/4" X 9-1/2"
Basin depth: 3-3/4"

Dimensions of fixture are nominal and may vary within the range of tolerances established by ASME Standard A112.19.2. Dimensions and specifications subject to change without notice.