

**MAYON
ABOVE COUNTER
MARBLE BASIN**

Cat. No
7-742



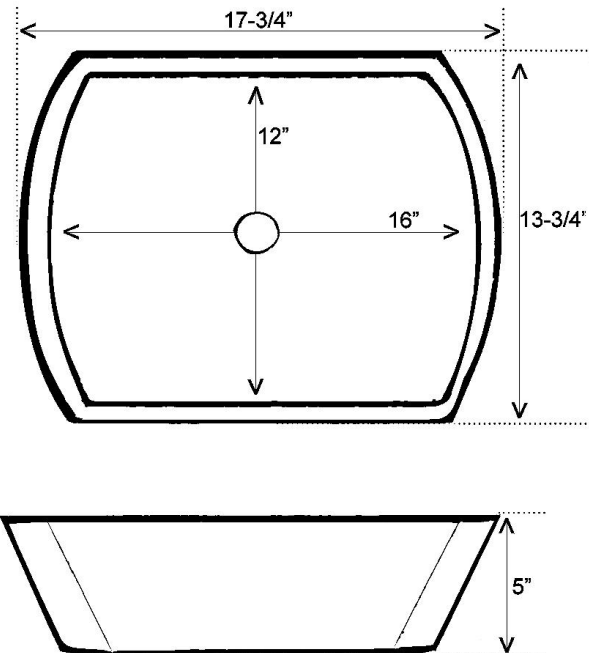
L: 17-3/4"
D: 13-3/4"
H: 5"

Features:

- ▶ Constructed of Marble
- ▶ Polished interior and exterior
- ▶ No faucet hole
- ▶ No overflow
- ▶ Rim thickness 7/8"
- ▶ Accommodates drain 1-1/2"
- ▶ For use with grid drain #5601 or umbrella drain #UD701 (NOT INCLUDED)

Finish

MPCA Polished Carrara Marble



Interior Dimensions

Basin interior: 16" x 12"
Basin depth: 4"

Dimensions of fixture are nominal and may vary within the range of tolerances established by ASME Standard A112.19.2. Dimensions and specifications subject to change without notice.